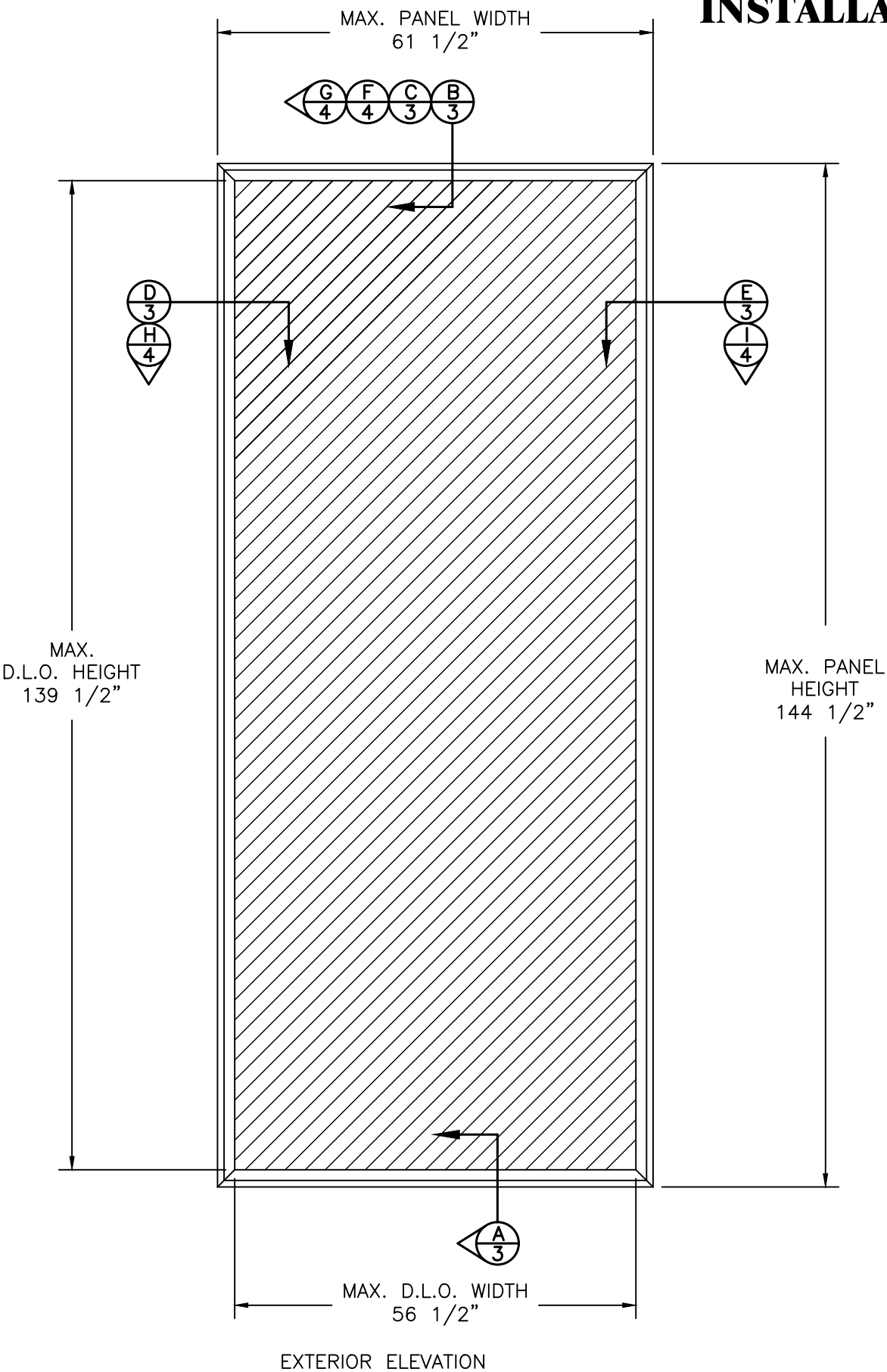


# QMI

## STORMSAFE SCREEN - FIXED IMPACT SCREEN - HVHZ

### INSTALLATION AND ANCHORAGE DETAILS



#### NOTES:

1. THE PRODUCT SHOWN HEREIN IS DESIGNED AND MANUFACTURED TO COMPLY WITH THE CURRENT EDITION OF THE FLORIDA BUILDING CODE INCLUDING THE HIGH VELOCITY HURRICANE ZONE (HVHZ).
2. CONCRETE, MASONRY & WOOD FRAMING TO BE DESIGNED AND ANCHORED TO PROPERLY TRANSFER ALL LOADS TO STRUCTURE. FRAMING IS THE RESPONSIBILITY OF THE ARCHITECT OR ENGINEER OF RECORD.
3. IMPACT SCREEN MATERIAL: 304 STAINLESS STEEL.  
PANEL FRAME MATERIAL: ALUMINUM ALLOY 6005-T5.
4. A MINIMUM GLASS SEPARATION DISTANCE OF 4" SHALL BE PROVIDED FOR ALL INSTALLATIONS.
5. TESTING TO TAS 201, TAS 202 (STATIC LOADING) AND TAS 203 DOCUMENTED IN TEST REPORT NO. CTLA-1366W-1 BY CERTIFIED TESTING LABORATORIES.

#### TABLE OF CONTENTS

SHEETS	SHEET DESCRIPTION
1	ELEVATION & NOTES
2	ANCHORING & NOTES
3	INSTALLATION DETAILS IN CONCRETE & WOOD FRAME
4	INSTALLATION DETAILS IN CONCRETE & WOOD FRAME
5	COMPONENTS & B.O.M.

MAXIMUM ALLOWABLE DESIGN PRESSURES W/2 1/2" MIN. EDGE DISTANCE	IMPACT RATING
+80.0 PSF -80.0 PSF	LARGE MISSILE IMPACT

PROJECT #414-1205

1661 GLENLAKE AVE.  
ITASCA, IL 60143

**QMI**  
STORMSAFE SCREEN - FIXED IMPACT SCREEN - HVHZ  
GENERAL AND INSTALLATION NOTES

PREPARED BY: RJA  
SCALE: N.T.S.  
REV: A

DATE: 12/09/12

DRAWING NO: QMI0003

SHEET: 1 OF 5

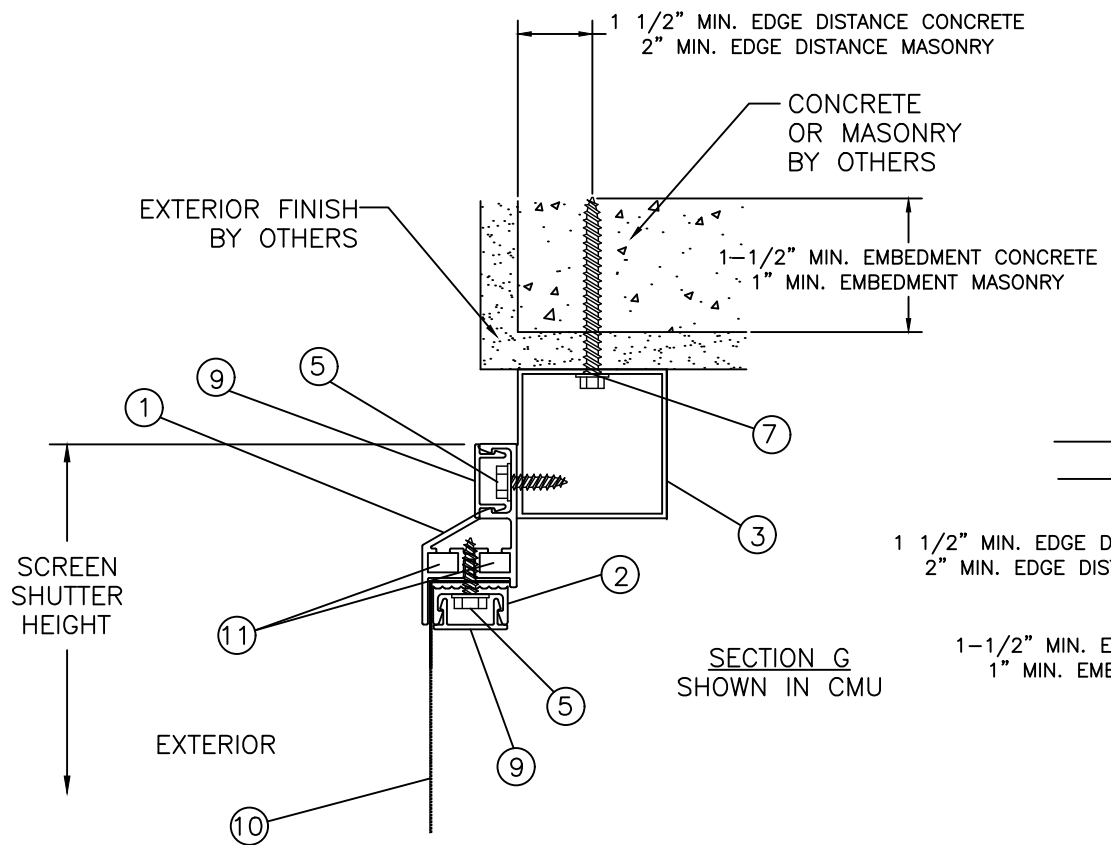
PTC PRODUCT DESIGN GROUP, LLC  
PO BOX 630779  
LONG BEACH, CA 90806  
Phone: 321.690.1788  
Fax: 321.690.1789  
Email: info@ptc-corp.com  
FBPE.CA. NO. 25835

Robert J. Amoruso, P.E.  
Florida P.E. No. 49752

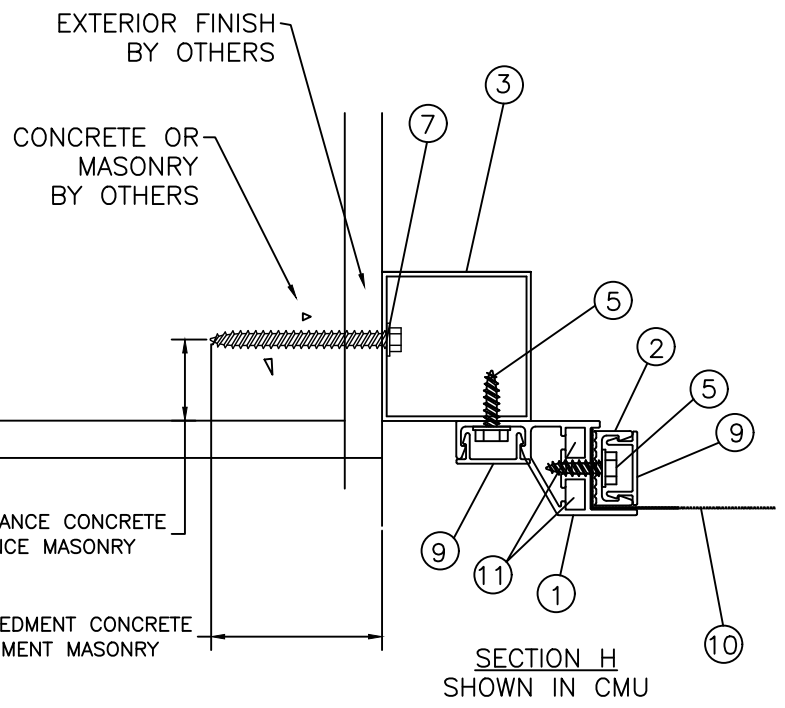
REV	DESCRIPTION	DATE	BY
A	UPDATE TO 5TH ED. (2014) FLORIDA BUILDING CODE	5/6/15	RJA



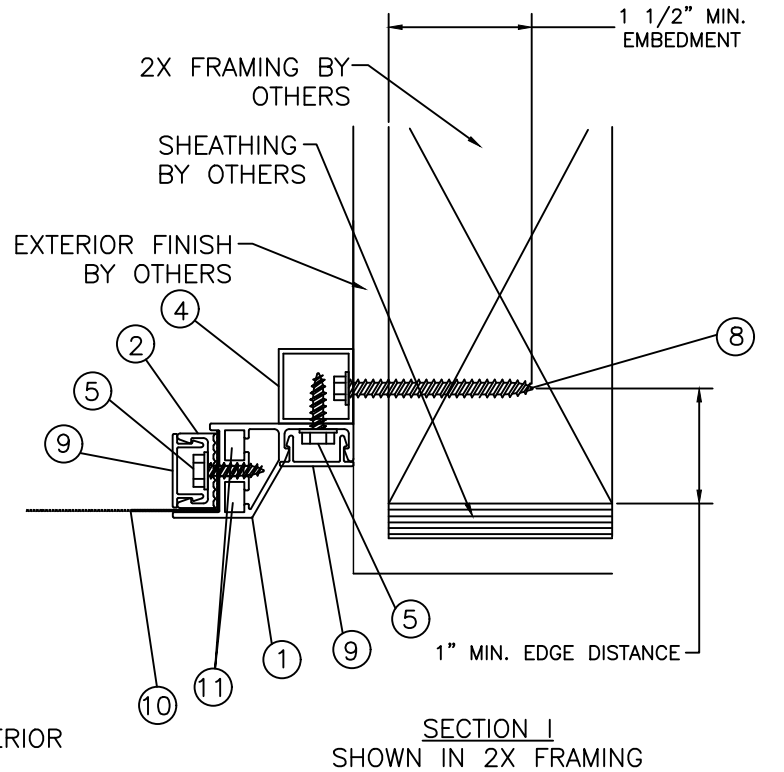




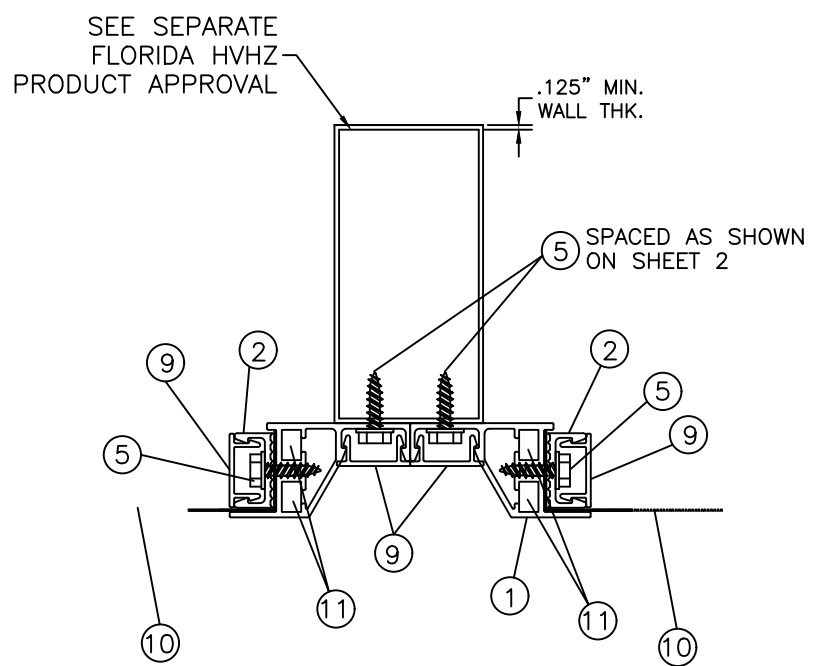
SECTION G  
SHOWN IN CMU



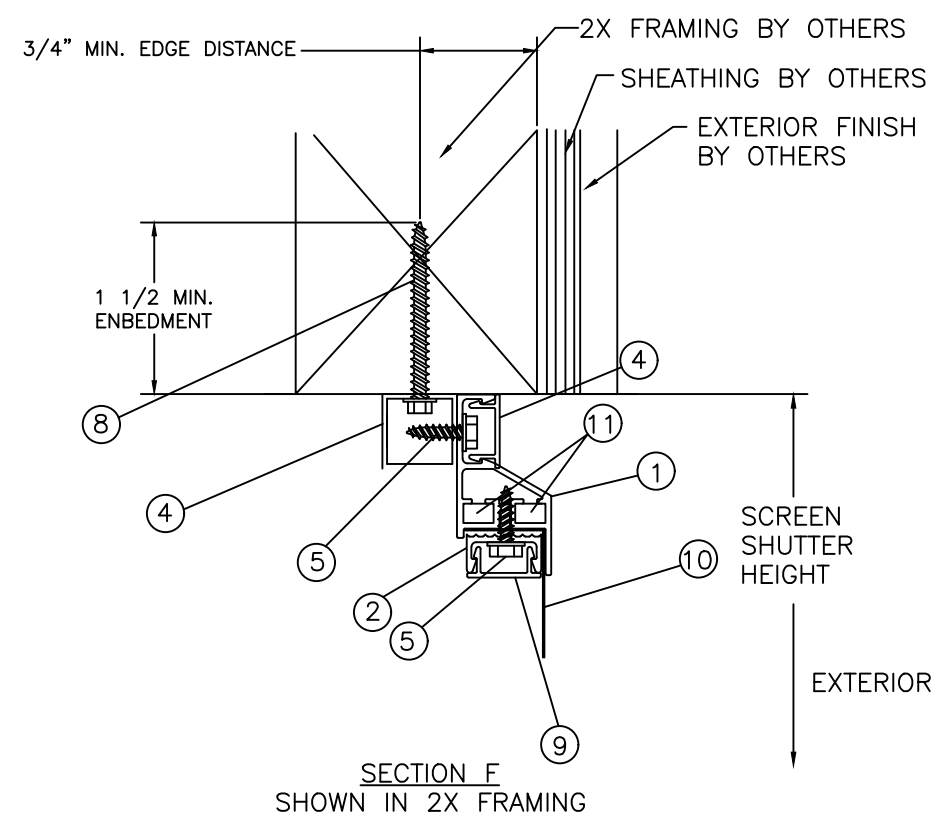
SECTION H  
SHOWN IN CMU



SECTION I  
SHOWN IN 2X FRAMING



OPTIONAL ALUMINUM MULLION  
INSTALLATION, SEE SEPARATE  
FLORIDA HVHZ PRODUCT APPROVAL



SECTION F  
SHOWN IN 2X FRAMING

- NOTES:
1. 2" ALUMINUM TUBE HAS A 1" MINIMUM SETBACK FROM EDGE OF CONCRETE/MASONRY AT INSTALLATION.
  2. 1" ALUMINUM TUBE HAS A 1 1/2" MINIMUM SETBACK FROM EDGE OF CONCRETE/MASONRY AT INSTALLATION.

PROJECT #14-1205

1661 GLENLAKE AVE.  
ITASCA, IL 60143

STORMSAFE SCREEN - FIXED IMPACT SCREEN - HVHZ  
VERTICAL & HORIZONTAL SECTIONS

DATE: 12/09/12  
DRAWING NO: QMI0003  
SHEET: 4 OF 5

PREPARED BY: RJA  
SCALE: N.T.S.  
REV: A

QMI  
STORMSAFE SCREEN - FIXED IMPACT SCREEN - HVHZ  
VERTICAL & HORIZONTAL SECTIONS

PTC PRODUCT DESIGN GROUP, LLC  
PO BOX 520775  
LONGWOOD, FLORIDA 32752  
PHONE: 321.690.1786  
FAX: 321.690.1785  
EMAIL: info@ptc-corp.com

5/6/15  
RJA  
DATE

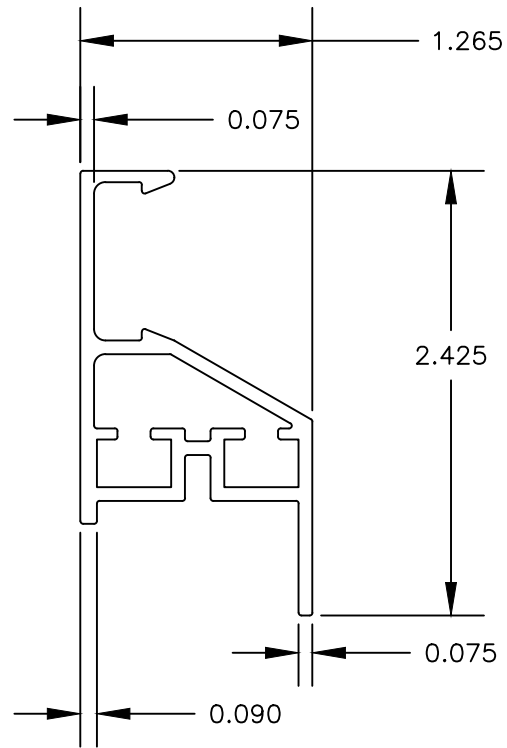
UPDATE TO 5TH ED. (2014)  
FLORIDA BUILDING CODE  
A  
DESCRIPTION

REV

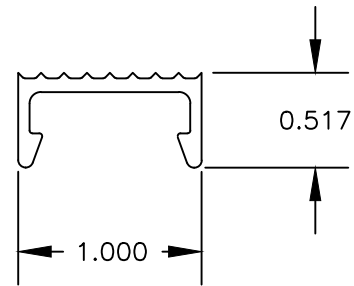
BY

Robert J. Amoruso, P.E.  
Florida P.E. No. 49752

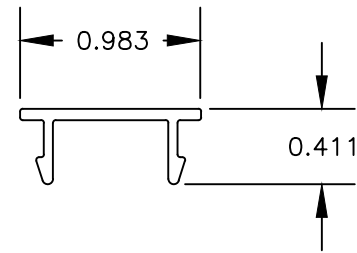
① FRAME HEAD, SILL & JAMB  
TYP. WALL THICKNESS 0.075



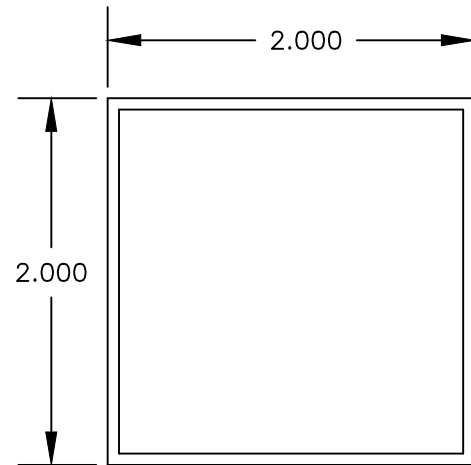
② WIRE RETAINER  
TYP. WALL THICKNESS 0.075



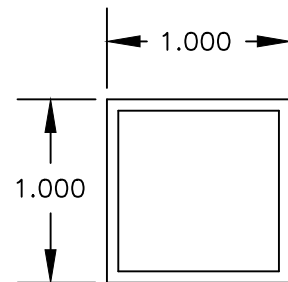
⑨ SCREW COVER  
TYP. WALL THICKNESS 0.050



③ 2" X 2" ALUMINUM TUBE  
TYP. WALL THICKNESS 0.062



④ 1" X 1" ALUMINUM TUBE  
TYP. WALL THICKNESS 0.062



BILL OF MATERIALS

ITEM #	PART #	DESCRIPTION
1	2713	FRAME HEAD, SILL & JAMB 6005-T5 ALUMINUM
2	2721	WIRE RETAINER 6005-T5 ALUMINUM
3		2" X 2" X 1/16" ALUMINUM TUBE 6063-T5
4		1" X 1" 1/16" ALUMINUM TUBE 6063-T5
5		#12-14 X 3/4" HEX HEAD SMS SCREW
6		NOT USED
7		1/4" HEX HEAD ITW TAPCON
8		1/4" LAG SCREW
9	2730	SCREW COVER
10		MESH 12X12 SCREEN SS 304 THREAD 0.028" OR 0.032" THICK
11		CORNER KEY 2" X 2" X 0.40" X 1/4"

PROJECT #414-1205

1661 GLENLAKE AVE.  
ITASCA, IL 60143

TITLE: STORMSAFE SCREEN - FIXED IMPACT SCREEN - HVHZ  
COMPONENTS & BILL OF MATERIALS

PREPARED BY: N.T.S.  
DRAWN BY: RJA  
DATE: 12/09/12  
SCALE: N.T.S.  
DRAWING NO: QMI0003  
SHEET: 5 OF 5  
REV: A

Robert J. Amoruso, P.E.  
Florida P.E. No. 49752

REV	DESCRIPTION	DATE	BY
A	UPDATE TO 5TH ED. (2014) FLORIDA BUILDING CODE	5/6/15	RJA



PTC PRODUCT DESIGN GROUP, LLC  
PO BOX 520775  
LONGWOOD, FLORIDA 32752  
FBPE.CA. NO. 25935  
Phone: 321.680.1788  
Fax: 321.680.1769  
Email: info@pdc-corp.com