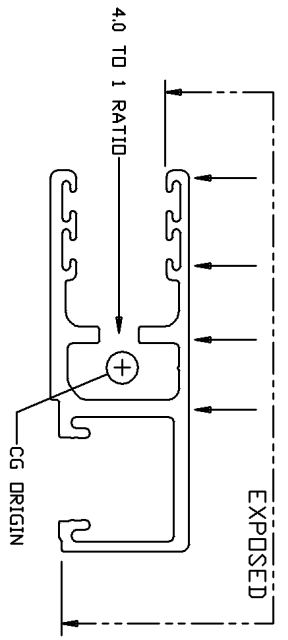
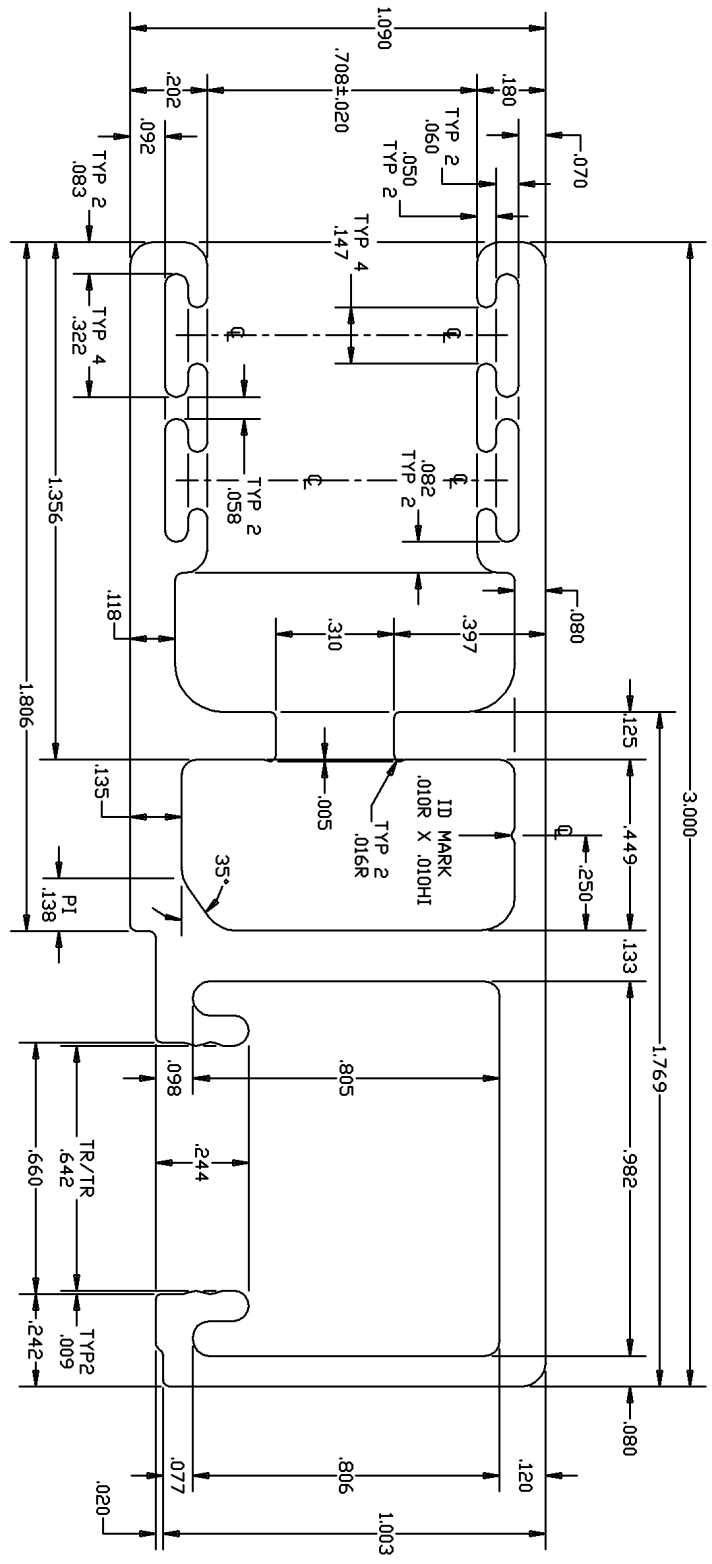


STRUCTURAL STREAKS EXPECTED

EXPOSED



THE ELECTRONIC GEOMETRY IS TO GOVERN THE DIMENSIONS FOR THIS SHAPE. THEREFORE SOME DIMENSIONS MAY NOT BE SHOWN.



Standard Aluminum Association tolerances apply unless otherwise noted.

CUST PART #	REL. DATE 1-15-10 LB	ALLOY 6005-T5	DIE NUMBER
CUST PART NAME: THICK WALL RETAIN ONLY SNAP COVER	REL. DATE 1-15-10 LB	ALLOY 6005-T5	REV
PROPOSAL: (A) 1-12-10 LB	REL. DATE 1-15-10 LB	ALLOY 6005-T5	QMI-492
(B) 1-14-10 LB	REL. DATE 1-15-10 LB	ALLOY 6005-T5	FINISH 204-R1

Standard Nominal Wall Thickness Tolerance Chart (±)

For Circumscribing Circle Sizes Less than 10 inches	For Circumscribing Circle Sizes 10 inches and over	For Circumscribing Circle Sizes 10 inches and over
0.125 - 0.249	0.250 - 0.499	0.500 - 0.749
0.007	0.008	0.009
0.007	0.008	0.009
0.007	0.008	0.009

QMI-492



QMI ROLL SHUTTER
D/B/A QMI ROLL SHUTTER SUPPLY
1661 GLEN LAKE AVENUE
34294
ITASCA IL 60143

UNSPECIFIED WALLS	UNSPECIFIED RADIUS	DATE: 12/16/09	DRAWN: CUST/LMB	SCALE: 3-1	P&D CODE: NO
MASS: 1.593 gmm	EST PER: 446.15 mm	EXP PER: 17.565 in	BUF PER: 280	C.C.D.: 81.07 mm	P&D AREA: mm ²
CLASS: Semi-Hollow	CLASS: Semi-Hollow	CLASS: Semi-Hollow	CLASS: Semi-Hollow	CLASS: Semi-Hollow	CLASS: Semi-Hollow

WARRANTY:
Bonnell warrants that the product(s) supplied by Bonnell shall be free from defects in workmanship and material and shall conform to all descriptions and specifications, as agreed between Bonnell and Purchaser. BONNELL DISCLAIMS ANY OTHER WARRANTY, EXPRESS OR IMPLIED, WHETHER CREATED BY CONTRACT, BY STATUTE OR OTHERWISE BY OPERATION OF LAW, INCLUDING ALL WARRANTIES OF MERCHANTABILITY AND FITNESS FOR A PARTICULAR PURPOSE.
PURCHASER'S DESIGNS, PLANS, DRAWINGS, SPECIFICATIONS AND REQUIREMENTS.
For any product that is not included in Bonnell's standard product line offered for sale generally in the usual course of Bonnell's business, it is agreed that Purchaser has engaged Bonnell to manufacture such product to Purchaser's specifications and requirements. Bonnell shall not be responsible for the adequacy of prints, drawings, specifications and requirements respecting such product or for the adequacy of the design represented thereby. Bonnell also shall not be responsible for the adequacy of the material incorporated in such product or for testing or otherwise determining the sufficiency and applicability of the design. Bonnell shall not be responsible for determining or assuring that such product or the use or application of such product conforms with applicable federal, state or local laws, rules or regulations. Bonnell's only warranty with respect to such products shall be as set forth above.
All Designs, plans, prints, or drawings of whatever kind prepared by Bonnell with respect to such products are and shall remain the sole property of Bonnell.