

QMI

STORMSAFE SCREEN - OPERABLE IMPACT SCREEN - NON-HVHZ

INSTALLATION AND ANCHORAGE DETAILS

GENERAL NOTES:

1. THIS PRODUCT IS DESIGNED TO COMPLY WITH THE CURRENT EDITION OF THE FLORIDA BUILDING CODE (FBC) REQUIREMENTS OF WIND ZONE 4, MISSILE LEVEL D AT THE DESIGN PRESSURE(S) STATED HEREIN. THE PRODUCT DETAILS CONTAINED HEREIN ARE BASED UPON SIGNED AND SEALED TEST REPORT # CTLA 1366W-3, AND ASSOCIATED LABORATORY STAMPED DRAWINGS.
2. ADEQUACY OF THE EXISTING STRUCTURAL CONCRETE / MASONRY AND 2X FRAMING AS A MAIN WIND FORCE RESISTING SYSTEM CAPABLE OF WITHSTANDING AND TRANSFERRING APPLIED PRODUCT LOADS TO THE STRUCTURE IS THE RESPONSIBILITY OF THE ENGINEER OR ARCHITECT OF RECORD.
3. IMPACT SCREEN MATERIAL: 304 STAINLESS STEEL
 PANEL FRAME MATERIAL: 6005-T5 ALUMINUM ALLOY
 CORNER KEY MATERIAL: 6061-T6 ALUMINUM ALLOY
4. A MINIMUM SEPARATION DISTANCE OF 1 INCH SHALL BE PROVIDED FOR ALL INSTALLATIONS.
5. MAXIMUM PANEL SIZE: 64.5" X 147.5"
6. PANELS MAY BE MOUNTED HORIZONTALLY WHERE APPLICABLE.
7. THE DRAWING SECTIONS HEREIN DEPICT TYPICAL CONCRETE / MASONRY AND WOOD INSTALLATION ANCHORAGE CONNECTIONS. THESE DETAILS MAY BE USED INTERCHANGEABLY AS FIELD CONDITIONS DICTATE.

INSTALLATION NOTES:

1. ONE (1) INSTALLATION ANCHOR IS REQUIRED AT EACH ANCHOR LOCATION SHOWN.
2. THE NUMBER OF INSTALLATION ANCHORS DEPICTED IS THE MINIMUM NUMBER OF ANCHORS TO BE USED FOR PRODUCT INSTALLATION.
3. THE OPERABLE SCREENS MAY BE MOUNTED DIRECTLY TO THE CONCRETE / MASONRY OR WOOD SUBSTRATE, PROVIDED THE ANCHOR QUANTITY AND SPACING IS MAINTAINED.
4. FOR INSTALLATION OF THE ALUMINUM SUBFRAME INTO WOOD FRAMING, USE #12 WOOD SCREWS OF SUFFICIENT LENGTH TO ACHIEVE 1 1/2 INCH MINIMUM EMBEDMENT. MINIMUM EDGE DISTANCE IS 3/4 INCH.
5. FOR INSTALLATION OF THE ALUMINUM SUBFRAME THROUGH 1X BUCK TO CONCRETE / MASONRY OR DIRECTLY INTO CONCRETE / MASONRY, USE 1/4 INCH ITW TAPCONS MEETING THE FOLLOWING INSTALLATION REQUIREMENTS::
 - 5.1. CONCRETE SUBSTRATE
 - 5.1.1. 1 1/2 INCH MINIMUM EMBEDMENT.
 - 5.1.2. 1 1/2 MINIMUM EDGE DISTANCE.
 - 5.2. MASONRY (CMU) SUBSTRATE
 - 5.2.1. 1 INCH MINIMUM EMBEDMENT.
 - 5.2.2. 2 MINIMUM EDGE DISTANCE.
6. FOR INSTALLATION OF THE SCREEN FRAME INTO THE ALUMINUM SUBFRAME USE #12 X 3/4 INCH HEX HEAD SMS SCREWS
7. MINIMUM EDGE DISTANCE AND EMBEDMENT EXCLUDE WALL FINISHES (INCLUDING BUT NOT LIMITED TO STUCCO, FOAM, BRICK VENEER AND SIDING).
8. FOR CONCRETE BLOCK APPLICATIONS, DO NOT INSTALL INSTALLATION ANCHORS INTO MORTAR JOINTS.
9. INSTALLATION ANCHORS SHALL BE INSTALLED IN ACCORDANCE WITH ANCHOR MANUFACTURER'S INSTALLATION INSTRUCTIONS AND ANCHORS SHALL NOT BE USED IN SUBSTRATES WITH STRENGTHS LESS THAN THE MINIMUM STRENGTH SPECIFIED BY THE ANCHOR MANUFACTURER.
10. INSTALLATION ANCHOR CAPACITIES FOR PRODUCTS HEREIN ARE BASED ON SUBSTRATE MATERIALS WITH THE FOLLOWING PROPERTIES:
 - 10.1. WOOD - MINIMUM SPECIFIC GRAVITY IS 0.42.
 - 10.2. CONCRETE - MINIMUM COMPRESSIVE STRENGTH OF 2500 PSI.
 - 10.3. MASONRY - STRENGTH CONFORMANCE TO ASTM C-90, MEDIUM WEIGHT, DENSITY > 117 PCF.

TABLE OF CONTENTS	
SHEET	SHEET DESCRIPTION
1	GENERAL AND INSTALLATION NOTES
2	ELEVATION AND ANCHOR LAYOUTS
3	VERTICAL & HORIZONTAL SECTIONS
4	VERTICAL & HORIZONTAL SECTIONS
5	BILL OF MATERIALS & COMPONENTS

DESIGN PRESSURE RATING (PSF)	IMPACT RATING
+47.0/-53.0	WIND ZONE 4 MISSILE LEVEL D

PROJECT #415-0207

1661 GLENLAKE AVE.
 ITASCA, IL 60143

DRAWN BY: RJA
 SCALE: N.T.S.
 REV: A

DATE: 12/09/12
 DRAWING NO: QM10002
 SHEET: 1 OF 5

UPDATED TO 5TH ED. (2014) FBC
 RJA
 DATE: 5/6/15

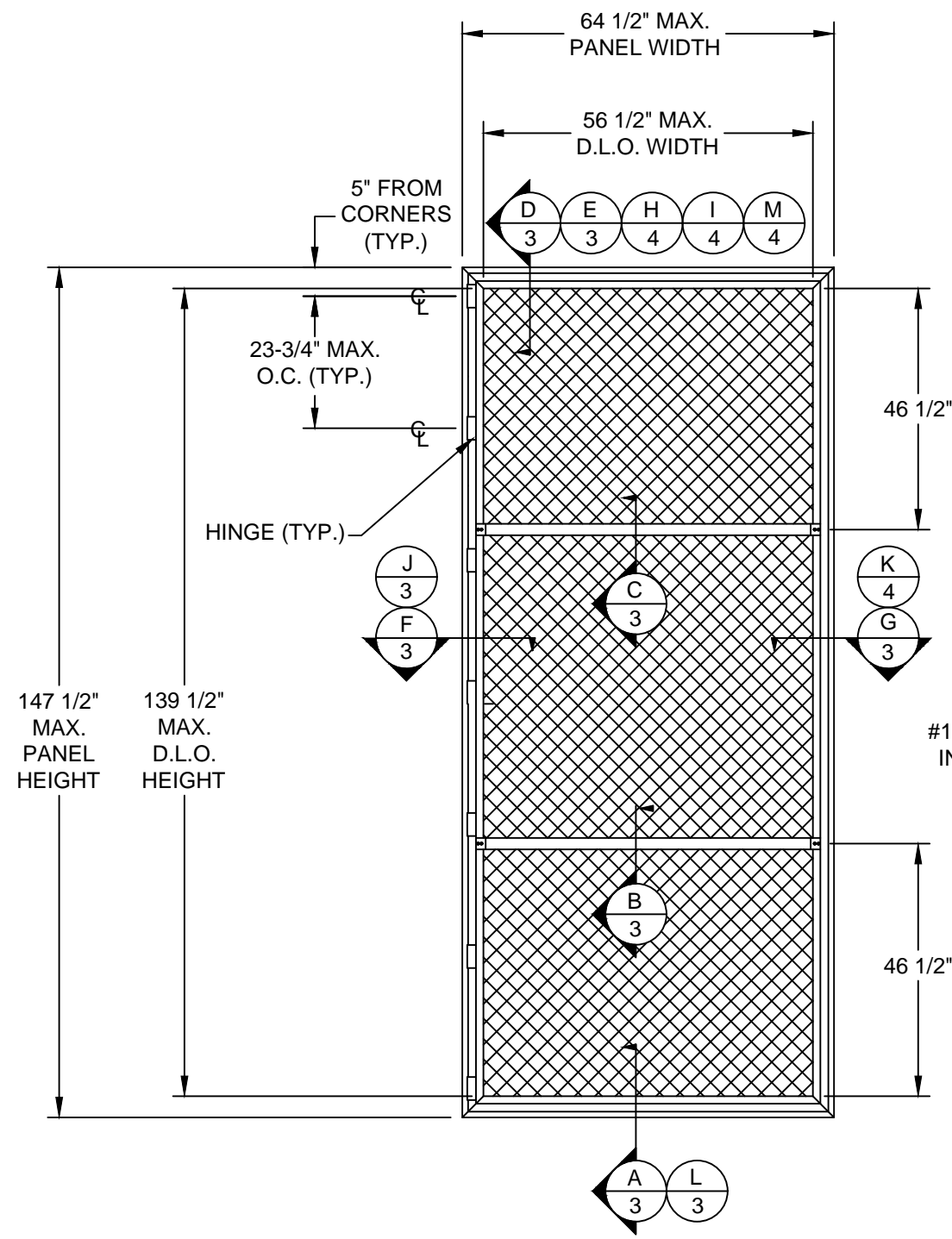
DESCRIPTION
 REV
 BY

TITLE: STORMSAFE SCREEN - OPER. IMPACT SCREEN - NON-HVHZ
 GENERAL AND INSTALLATION NOTES

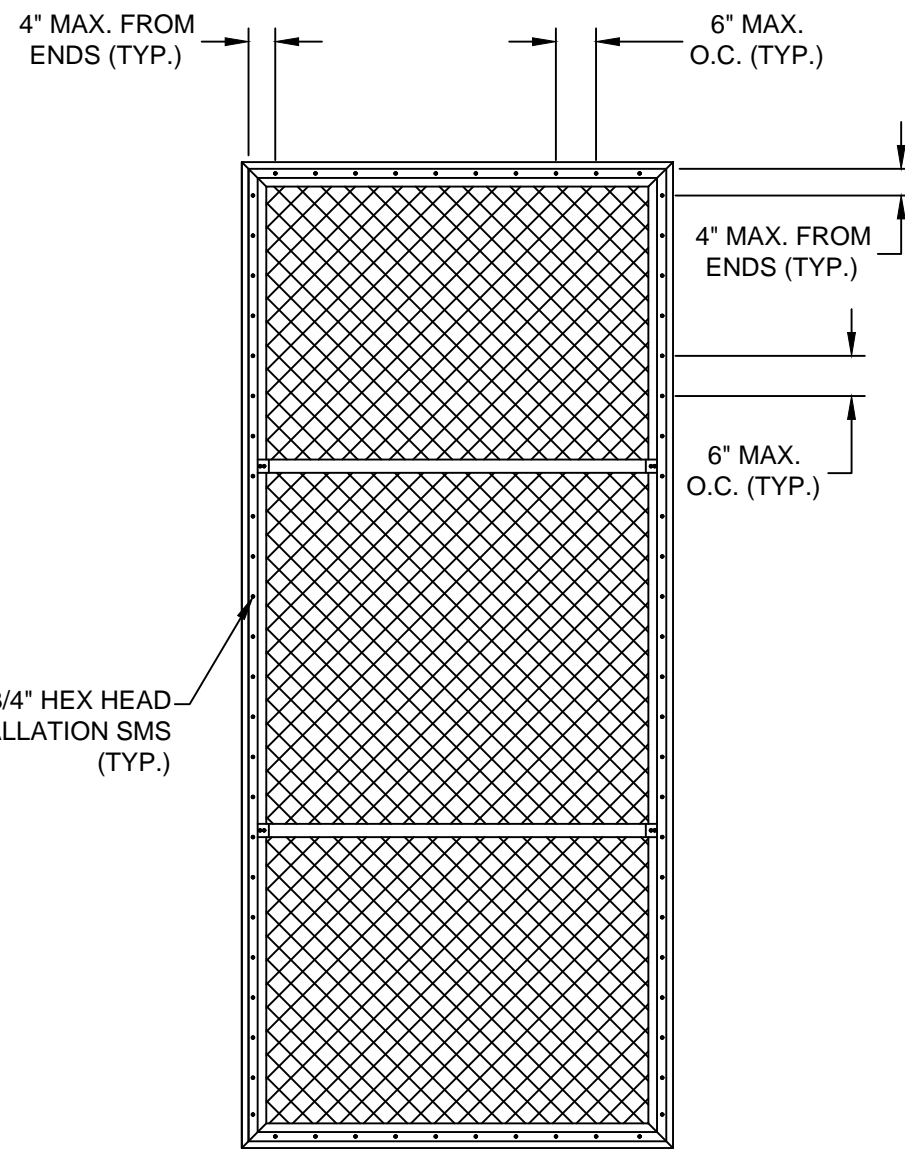
PREPARED BY:
 PTC PRODUCT DESIGN GROUP, LLC
 PO BOX 520775
 LONGWOOD, FLORIDA 32752
 FBPE CA. NO. 28935

Phone: 321.690.1788
 Fax: 321.690.1789
 Email: info@ptc-corp.com

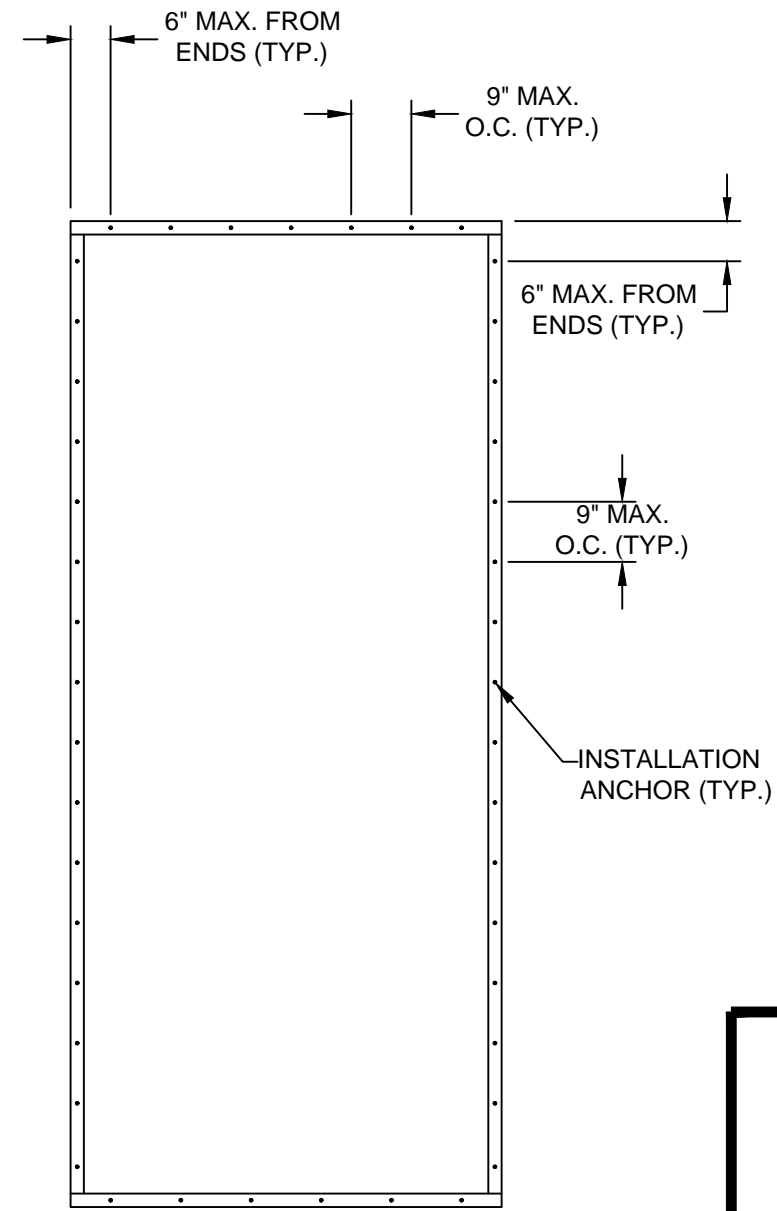
Robert J. Amoroso, P.E.
 Florida P.E. No. 49752



ELEVATION
EXTERIOR VIEW



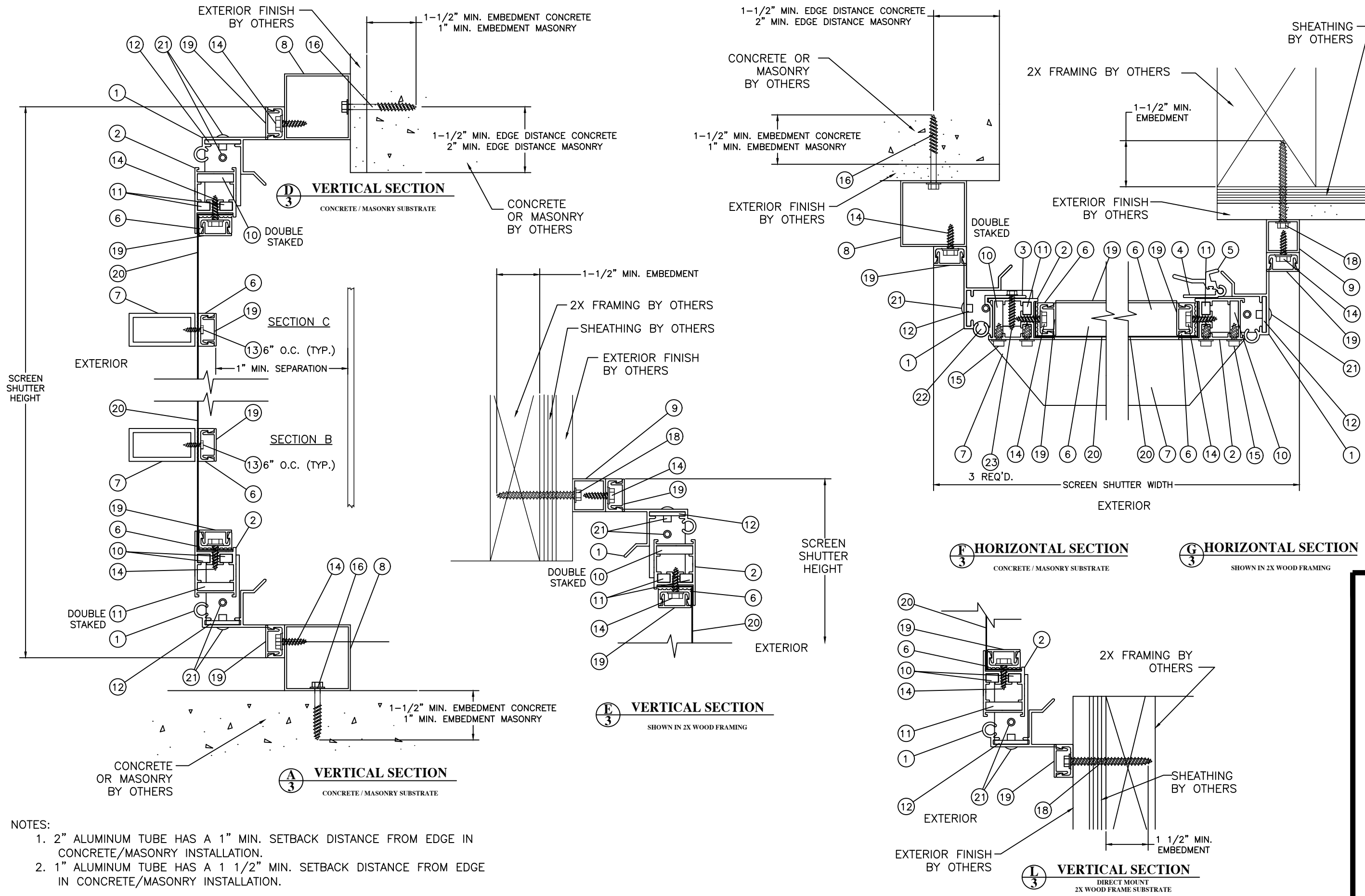
ANCHOR LAYOUT
SCREEN FRAME TO ALUMINUM TUBING



ANCHOR LAYOUT
ALUMINUM TUBE OR SCREEN FRAME TO SUBSTRATE

PROJECT #415-0207		DATE	BY
		5/6/15	RJA
		UPDATED TO 5TH ED. (2014) FBC	
		DESCRIPTION	
		REV	
		2 OF 5	
1661 GLENLAKE AVE. ITASCA, IL 60143		DATE:	12/09/12
DRAWN BY: RJA		DRAWING NO.:	QMI0002
SCALE: N.T.S.		REV:	A
SHEET: 2 OF 5			
TITLE: STORMSAFE SCREEN - OPER. IMPACT SCREEN - NON-HVHZ ELEVATION & ANCHOR LAYOUTS			
PREPARED BY: 		PDC PRODUCT DESIGN GROUP, LLC PO BOX 520775 LONGWOOD, FLORIDA 32752 FBPE CA. NO. 25935 Phone: 321.690.1788 Fax: 321.690.1789 Email: info@pdc-usa.com	

Robert J. Amoruso, P.E.
Florida P.E. No. 49752



- NOTES:
- 2" ALUMINUM TUBE HAS A 1" MIN. SETBACK DISTANCE FROM EDGE IN CONCRETE/MASONRY INSTALLATION.
 - 1" ALUMINUM TUBE HAS A 1 1/2" MIN. SETBACK DISTANCE FROM EDGE IN CONCRETE/MASONRY INSTALLATION.

PROJECT #415-0207

REV	DESCRIPTION	DATE	BY
A	UPDATED TO 5TH ED. (2014) FBC	5/6/15	RJA

1661 GLENLAKE AVE.
 ITASCA, IL 60143

QMI

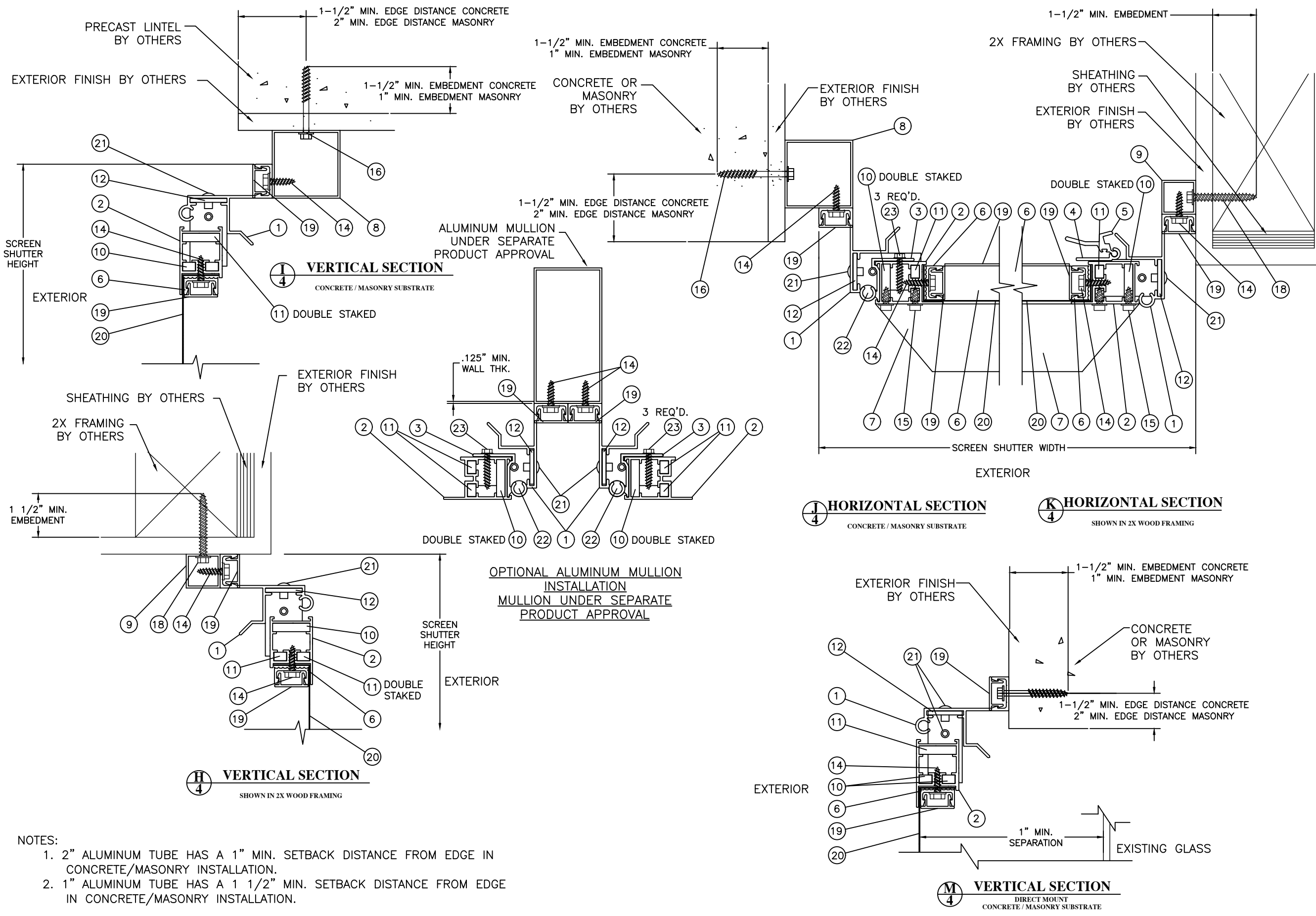
TITLE: STORMSAFE SCREEN - OPER. IMPACT SCREEN - NON-HVHZ
 VERTICAL & HORIZONTAL SECTIONS

PREPARED BY: RJA
 DRAWN BY: RJA
 SCALE: N.T.S.
 REV: A

DATE: 12/09/12
 DRAWING NO: QMI0002
 SHEET: 3 OF 5

PTC PRODUCT DESIGN GROUP, LLC
 PO BOX 520775
 LONGWOOD, FLORIDA 32762
 FBPE CA. NO. 28355
 Phone: 321.690.1788
 Fax: 321.690.1789
 Email: info@ptc-comp.com

Robert J. Amoroso, P.E.
 Florida P.E. No. 49752



PROJECT #415-0207

1661 GLENLAKE AVE.
ITASCA, IL 60143

TITLE: STORMSAFE SCREEN - OPER. IMPACT SCREEN - NON-HVHZ
VERTICAL & HORIZONTAL SECTIONS

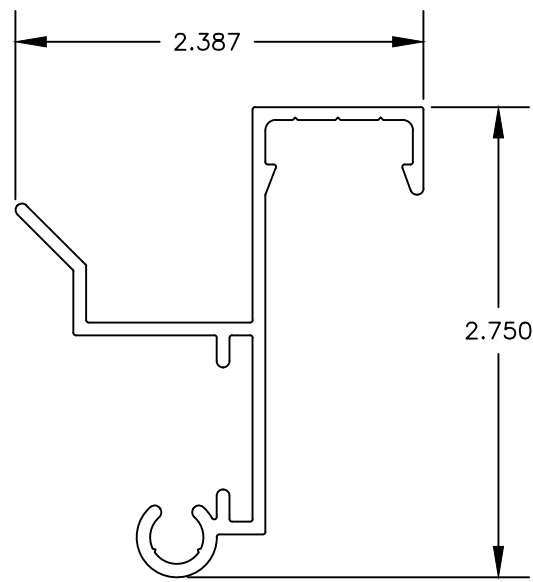
DATE:	12/09/12
DRAWING NO.:	QMI0002
DRAWN BY:	RJA
SCALE:	N.T.S.
SHEET:	4 OF 5
REV:	A

DESCRIPTION	REV	DATE	BY
UPDATED TO 5TH ED. (2014) FBC	A	5/6/15	RJA

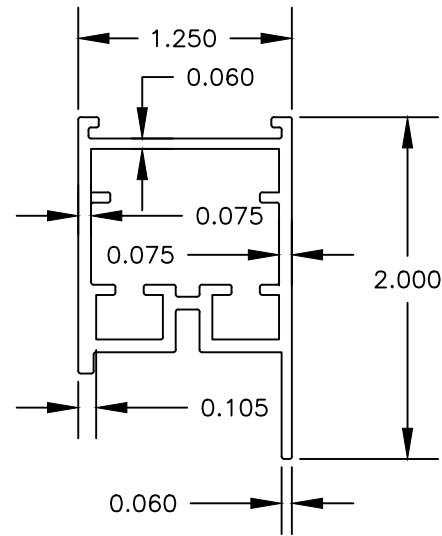
OMI
PTC PRODUCT DESIGN GROUP, LLC
PO BOX 520775
LONGWOOD, FLORIDA 32752
Phone: 321.680.1788
Fax: 321.680.1789
Email: info@pdcgrp.com
FBPECA, NO. 28335

Robert J. Amoruso, P.E.
Florida P.E. No. 49752

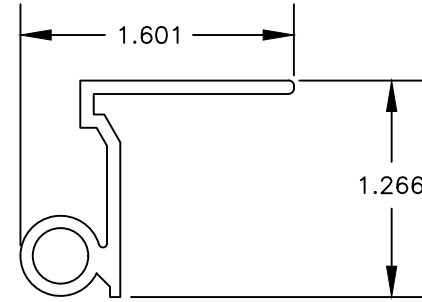
① FRAME HEAD, SILL & JAMB
TYP. WALL THICKNESS 0.075



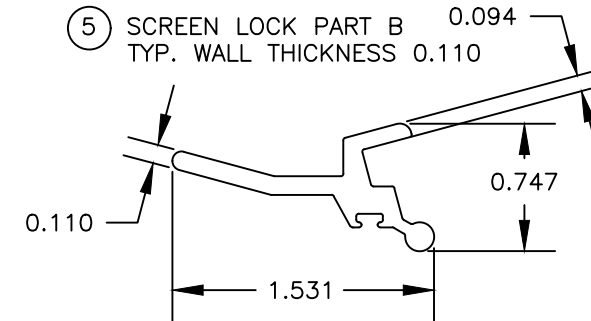
② VENT HEAD, SILL & JAMB
TYP. WALL THICKNESS 0.075



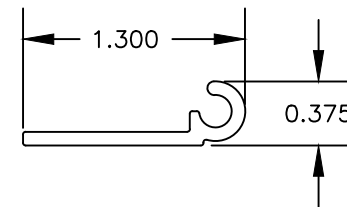
③ SCREEN HINGE
TYP. WALL THICKNESS 0.078



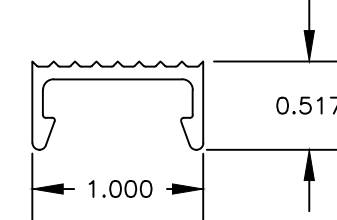
⑤ SCREEN LOCK PART B
TYP. WALL THICKNESS 0.110



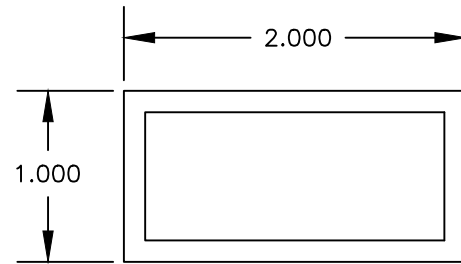
④ SCREEN LOCK PART A
TYP. WALL THICKNESS 0.080



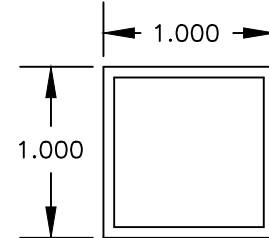
⑥ WIRE RETAINER
TYP. WALL THICKNESS 0.075



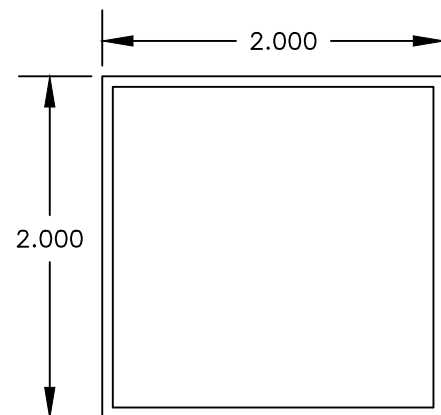
⑦ 1" X 2" ALUMINUM TUBE
TYP. WALL THICKNESS 0.125



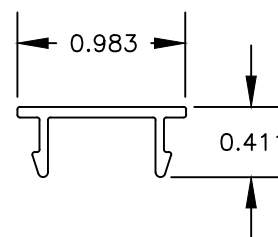
⑨ 1" X 1" ALUMINUM TUBE
TYP. WALL THICKNESS 0.062



⑧ 2" X 2" ALUMINUM TUBE
TYP. WALL THICKNESS 0.062



⑩ SCREEN COVER
TYP. WALL THICKNESS 0.050



BILL OF MATERIALS

ITEM #	DESCRIPTION
1	FRAME HEAD, SILL & JAMB 6005-T5 ALUMINUM
2	VENT HEAD, SILL & STILE 6005-T5 ALUMINUM
3	SCREEN HINGE 6005-T5 ALUMINUM
4	SNAP LOCK PART A
5	SNAP LOCK PART B
6	WIRE RETAINER
7	1" X 2" X 1/8" ALUMINUM TUBE 6063-T5
8	2" X 2" X 1/16" ALUMINUM TUBE 6063-T5
9	1" X 1" & 1" X 2" X 1/16" ALUMINUM TUBE 6063-T5
10	OUTER VENT CORNER KEY 2" X 2" X 1.1 X 1/4" 6061-T6 ALUM.
11	INNER VENT CORNER KEY 2" X 2" X .400 X 1/8" 6061-T6 ALUM.
12	SUB FRAME ANGLE CORNER KEY 2" X 2" X 1/8" 6061-T6 ALUM.
13	#10 X 5/8" TEK SCREW
14	#12 -14 X 3/4" HEX HEAD SMS
15	#14 X 1/2" HEX HEAD SELF TAPPING FASTENER
16	1/4" HH I.T.W. TAPCON
17	NOT USED
18	NO. 12 HH SELF TAPPING SCREW (SHOWN) OR WOOD SCREW
19	SCREW COVER
20	MESH 12 X 12 SCREEN SS 304 THREAD 0.028" OR 0.032" THICK
21	1/8" POP RIVET
22	SPRING LOADED HINGE PIN ASSEMBLY
23	#12 X 1" HEX HEAD SELF TAPPING SMS

PROJECT #415-0207

1661 GLENLAKE AVE.
ITASCA, IL 60143

QMI
STORMSAFE SCREEN - OPER. IMPACT SCREEN - NON-HVHZ
COMPONENTS & BILL OF MATERIALS

PREPARED BY: RJA DATE: 12/09/12
SCALE: N.T.S. DRAWING NO: QMI0002
REV: A SHEET: 5 OF 5

PDC
PTC PRODUCT DESIGN GROUP, LLC
PO BOX 520775
LONGWOOD, FLORIDA 32752
PHONE: 321.660.1786
FAX: 321.660.1785
EMAIL: info@pdc-corp.com

Robert J. Amoroso, P.E.
Florida P.E. No. 49752

DATE: 5/6/15
DESCRIPTION: UPDATED TO 5TH ED. (2014) FBC
REV: A

BY: RJA
DATE: 5/6/15
DESCRIPTION: UPDATED TO 5TH ED. (2014) FBC
REV: A