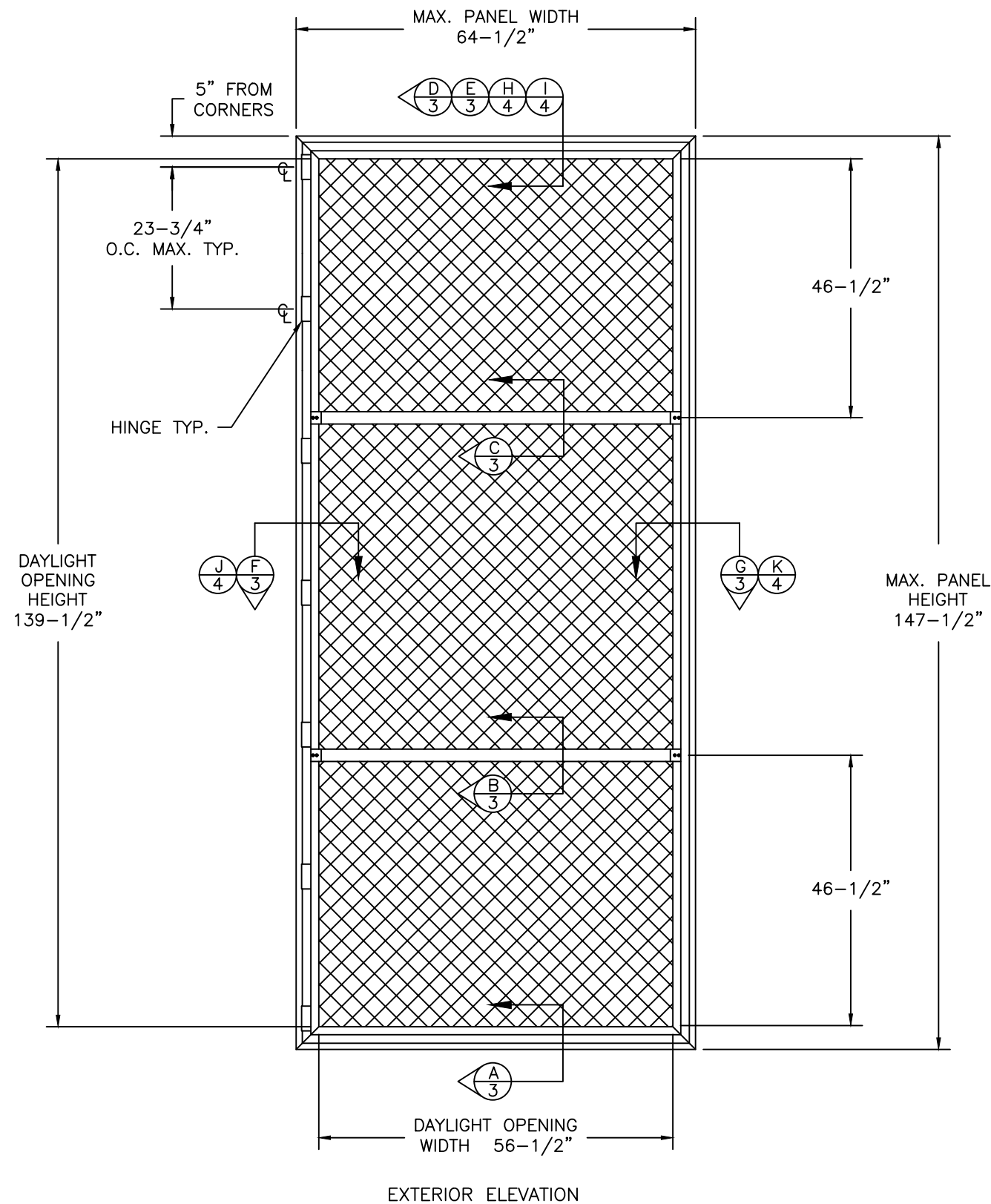


# QMI

## STORMSAFE SCREEN - OPERABLE IMPACT SCREEN - HVHZ

### INSTALLATION AND ANCHORAGE DETAILS



**GENERAL NOTES:**

1. THE PRODUCT SHOWN HEREIN IS DESIGNED AND MANUFACTURED TO COMPLY WITH THE CURRENT EDITION OF THE FLORIDA BUILDING CODE INCLUDING THE HIGH VELOCITY HURRICANE ZONE (HVHZ).
2. CONCRETE, MASONRY AND WOOD FRAMING TO BE DESIGNED AND ANCHORED TO PROPERLY TRANSFER ALL LOADS TO STRUCTURE. FRAMING IS THE RESPONSIBILITY OF THE ARCHITECT OR ENGINEER OF RECORD.
3. IMPACT SCREEN MATERIAL: 304 STAINLESS STEEL.  
PANEL FRAME MATERIAL: ALUMINUM ALLOY 6005-T5.  
CORNER KEY MATERIAL: ALUMINUM ALLOY 6061-T6.
4. A MINIMUM GLASS SEPARATION DISTANCE OF 4" SHALL BE PROVIDED FOR ALL INSTALLATIONS.
5. TESTING TO TAS 201, TAS 202 (STATIC LOADING) AND TAS 203 DOCUMENTED IN TEST REPORT NO. CTLA-1366W BY CERTIFIED TESTING LABORATORIES.

TABLE OF CONTENT	
SHEET	DESCRIPTION
1	ELEVATION NOTES
2	ANCHORING & NOTES
3	INSTALLATION DETAILS IN CONCRETE & WOOD FRAME
4	INSTALLATION DETAILS IN CONCRETE & WOOD FRAME
5	COMPONENTS & B.O.M.

MAXIMUM ALLOWABLE DESIGN PRESSURES W/2 1/2" MIN. EDGE DISTANCE	IMPACT RATING
+47.0 PSF -53.0 PSF	LARGE MISSILE IMPACT

PROJECT #414-1205

REV	DESCRIPTION	DATE	BY
A	UPDATE TO 5TH ED. (2014) FLORIDA BUILDING CODE	5/6/15	RJA

1661 GLENLAKE AVE.  
ITASCA, IL 60143

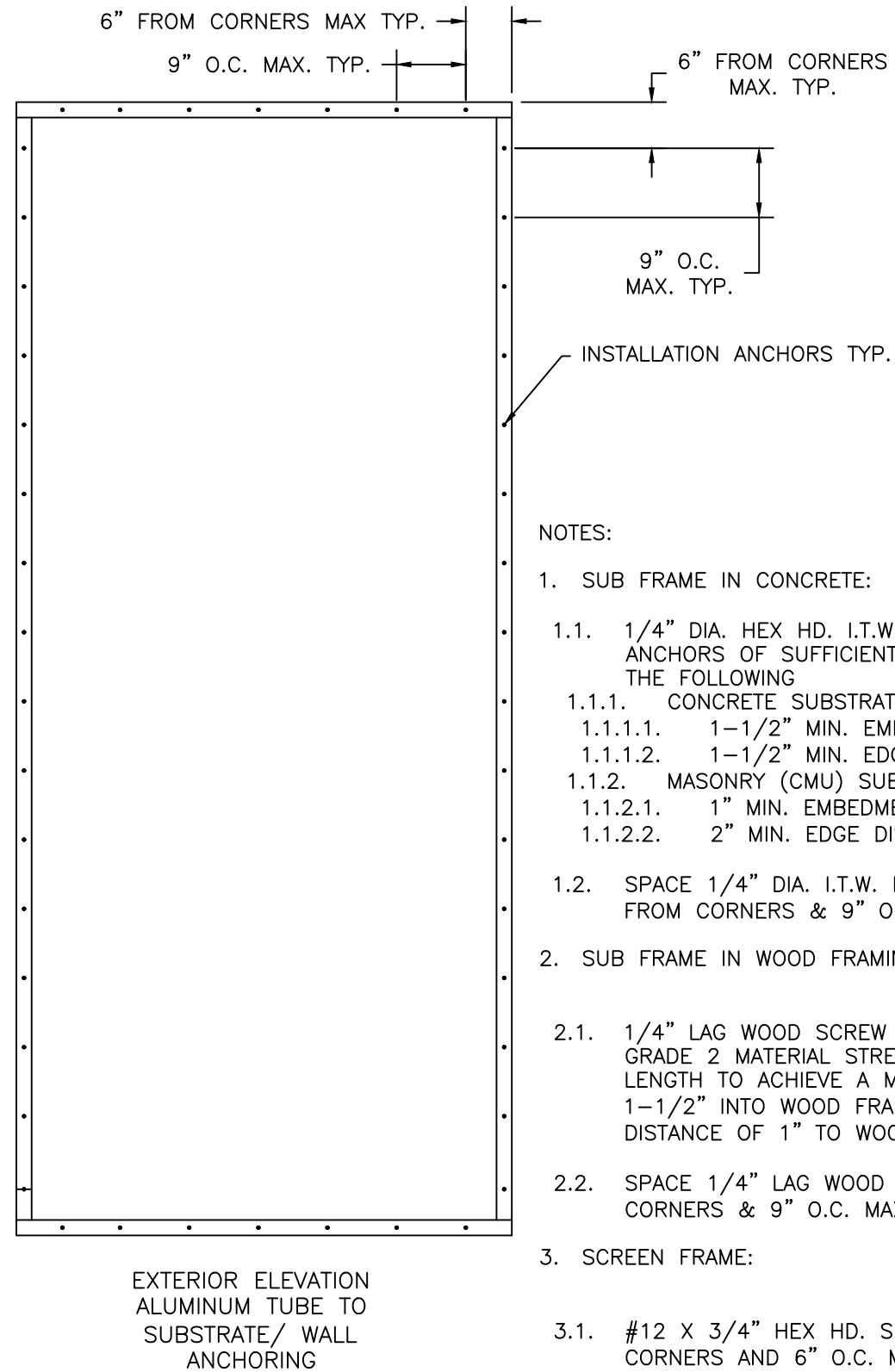
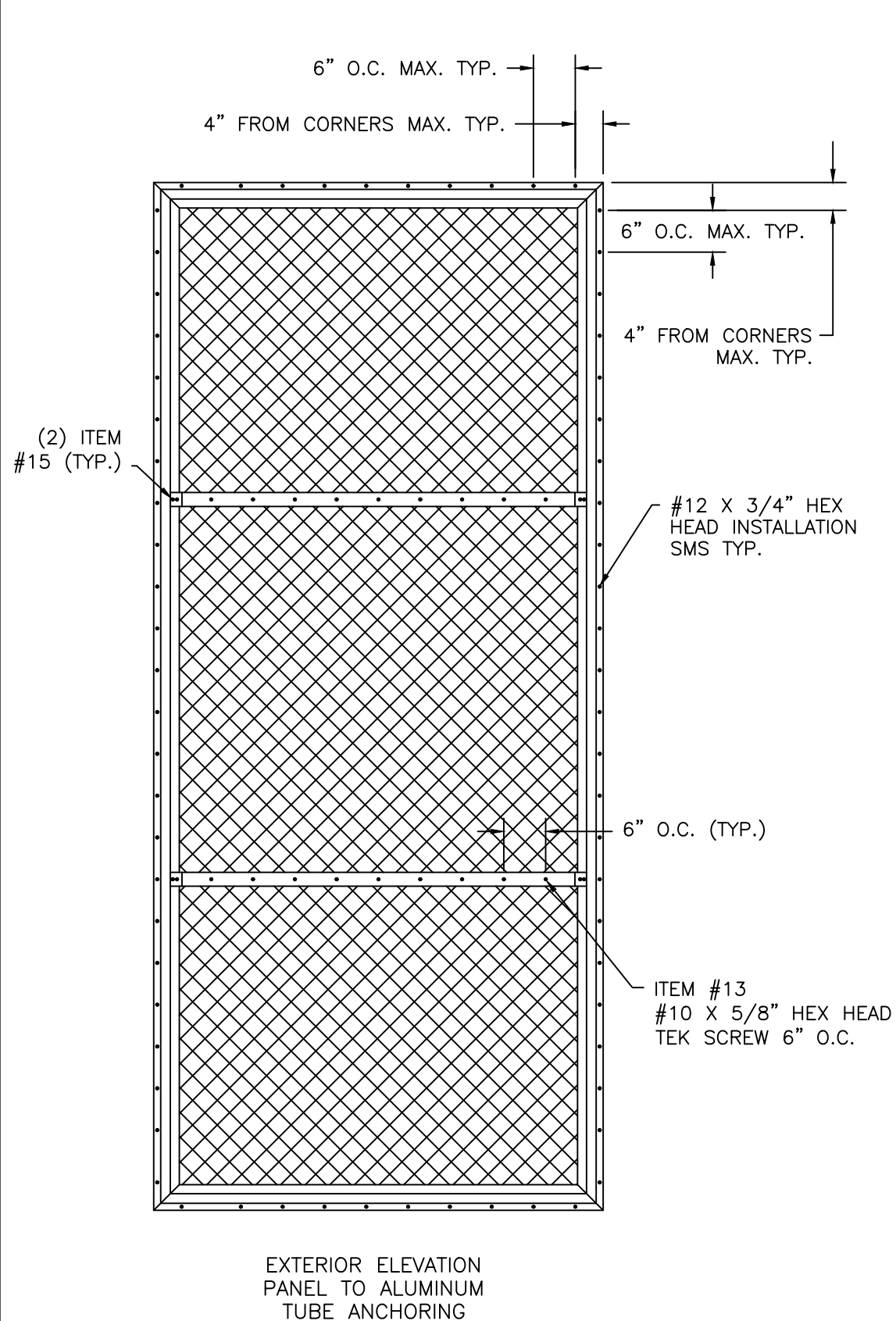
**QMI**

TITLE: STORMSAFE SCREEN - OPERABLE IMPACT SCREEN - HVHZ  
GENERAL AND INSTALLATION NOTES

PREPARED BY: RJA  
DRAWN BY: RJA  
DATE: 12/09/12  
SCALE: N.T.S.  
DRAWING NO: QMI0004  
SHEET: 1 OF 5

PTC PRODUCT DESIGN GROUP, LLC  
PO BOX 530715  
LONG BEACH, CA 90805  
Phone: 321.690.1788  
Fax: 321.690.1789  
Email: info@ptc-corp.com  
FBPC, CA, NO. 25835

Robert J. Amoruso, P.E.  
Florida P.E. No. 49752



NOTES:

1. SUB FRAME IN CONCRETE:
  - 1.1. 1/4" DIA. HEX HD. I.T.W. BUILDEX TAPCON ANCHORS OF SUFFICIENT LENGTH TO ACHIEVE THE FOLLOWING
    - 1.1.1. CONCRETE SUBSTRATE
      - 1.1.1.1. 1-1/2" MIN. EMBEDMENT
      - 1.1.1.2. 1-1/2" MIN. EDGE DISTANCE
    - 1.1.2. MASONRY (CMU) SUBSTRATE
      - 1.1.2.1. 1" MIN. EMBEDMENT
      - 1.1.2.2. 2" MIN. EDGE DISTANCE
  - 1.2. SPACE 1/4" DIA. I.T.W. BUILDEX TAPCONS 6" FROM CORNERS & 9" O.C. MAX. THEREAFTER.
2. SUB FRAME IN WOOD FRAMING:
  - 2.1. 1/4" LAG WOOD SCREW ANCHORS WITH MIN. GRADE 2 MATERIAL STRENGTH OF SUFFICIENT LENGTH TO ACHIEVE A MIN. EMBEDMENT OF 1-1/2" INTO WOOD FRAMING AND MIN. EDGE DISTANCE OF 1" TO WOOD FRAMING EDGE.
  - 2.2. SPACE 1/4" LAG WOOD SCREWS 6" FROM CORNERS & 9" O.C. MAX. THEREAFTER.
3. SCREEN FRAME:
  - 3.1. #12 X 3/4" HEX HD. SMS SPACE 4" FROM CORNERS AND 6" O.C. MAX. THEREAFTER.

PROJECT #414-1205

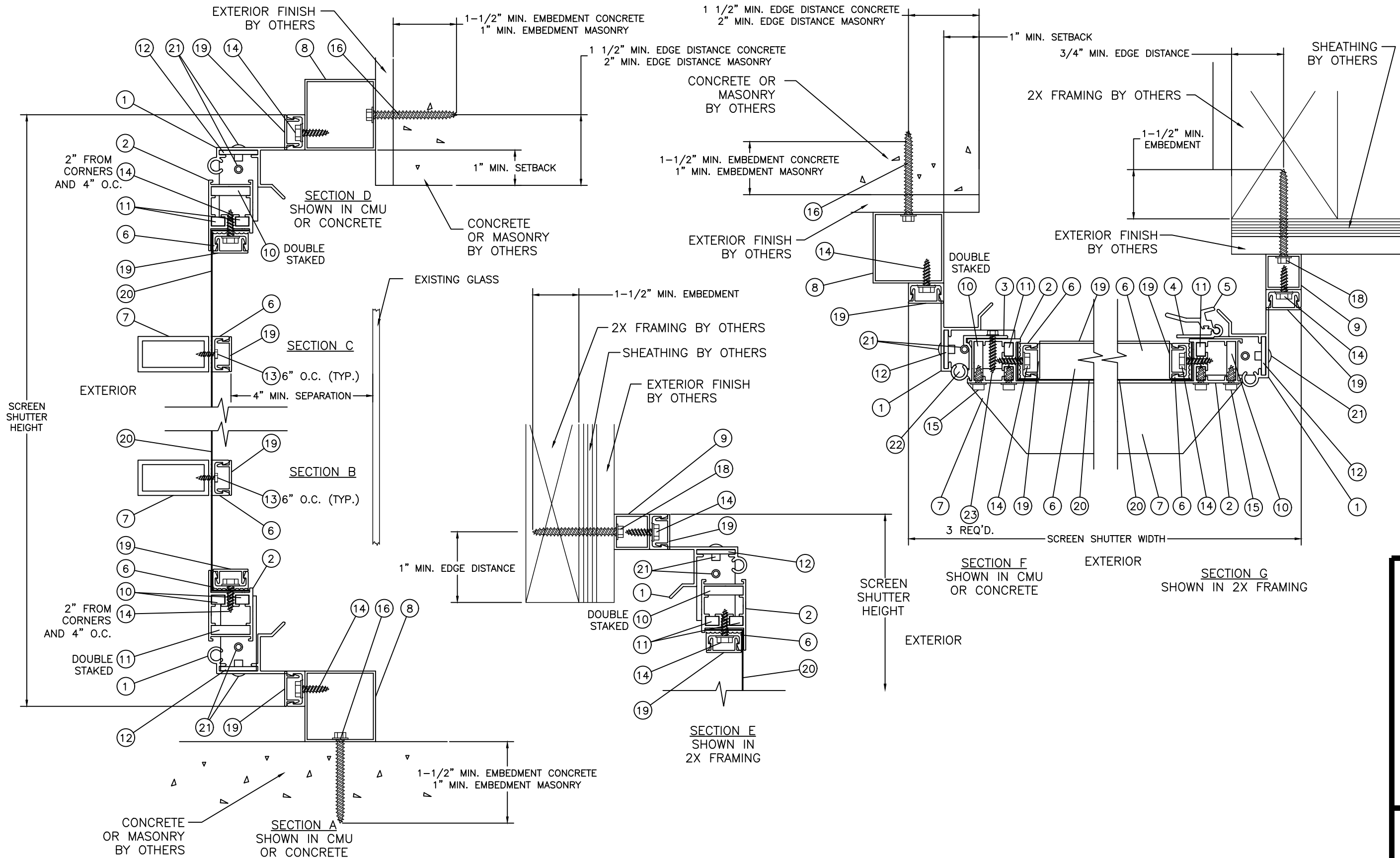
1661 GLENLAKE AVE.  
ITASCA, IL 60143

**QMI**

TITLE: STORMSAFE SCREEN - OPERABLE IMPACT SCREEN - HVHZ ELEVATION & ANCHOR LAYOUTS

PREPARED BY:	RJA	DATE:	12/09/12
DRAWN BY:	RJA	DRAWING NO.:	QMI0004
SCALE:	N.T.S.	REV:	A
DATE:	5/6/15	DESCRIPTION:	UPDATE TO 5TH ED. (2014) FLORIDA BUILDING CODE
BY:	RJA	REV:	2 OF 5

Robert J. Amoruso, P.E.  
Florida P.E. No. 49752



PROJECT #414-1205

1661 GLENLAKE AVE.  
ITASCA, IL 60143



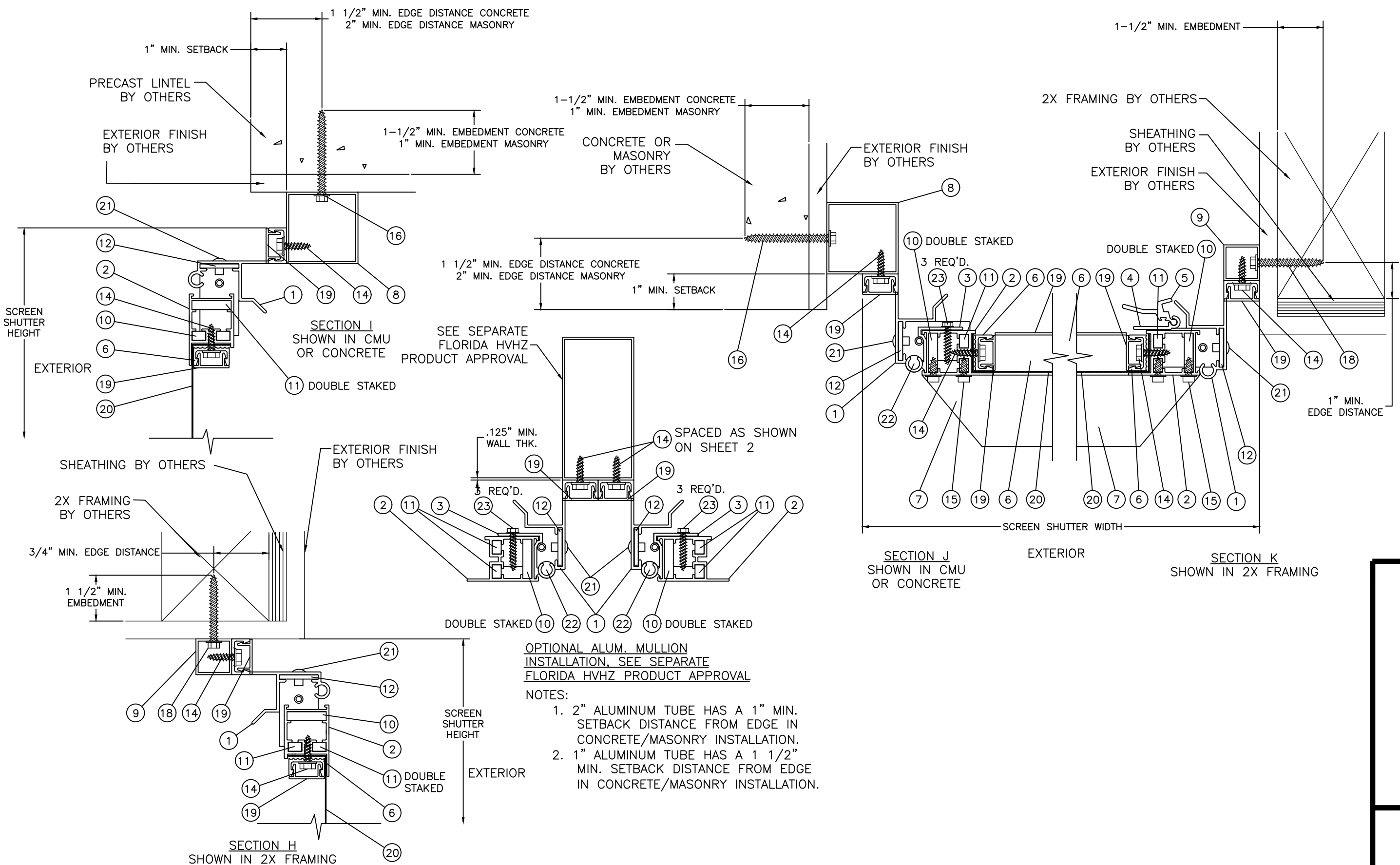
TITLE: STORMSAFE SCREEN - OPERABLE IMPACT SCREEN - HVHZ  
VERTICAL & HORIZONTAL SECTIONS

DATE:	12/09/12
DRAWN BY:	RJA
SCALE:	N.T.S.
REV:	A
DRAWING NO.:	QMI0004
SHEET:	3 OF 5

DATE	5/6/15	BY	RJA
DESCRIPTION	UPDATE TO 5TH ED. (2014) FLORIDA BUILDING CODE	REV	A

Robert J. Amoruso, P.E.  
Florida P.E. No. 49752

PTC PRODUCT DESIGN GROUP, LLC  
PO BOX 520775  
LONGWOOD, FLORIDA 32752  
Phone: 321.690.1788  
Fax: 321.690.1789  
Email: info@ptc-corp.com  
FBPE C.A. NO. 25935



PROJECT #414-1205

1661 GLENLAKE AVE.  
ITASCA, IL 60143



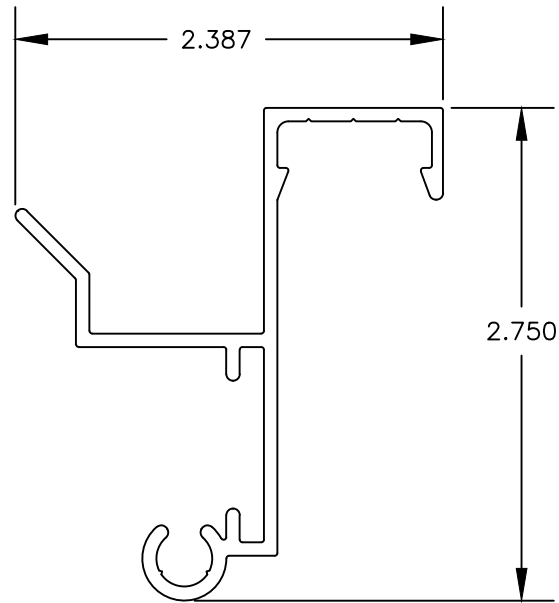
TITLE: STORMSAFE SCREEN - OPERABLE IMPACT SCREEN - HVHZ  
VERTICAL & HORIZONTAL SECTIONS

DATE:	12/09/12
DRAWING NO.:	QMI0004
SCALE:	N.T.S.
REV.:	A
SHEET:	4 OF 5

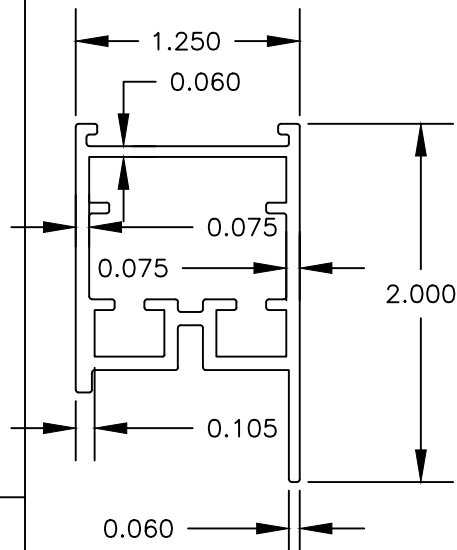
BY	RJA
DATE	5/6/15
DESCRIPTION	UPDATE TO 5TH ED. (2014) FLORIDA BUILDING CODE
REV	A

Robert J. Amoruso, P.E.  
Florida P.E. No. 49752

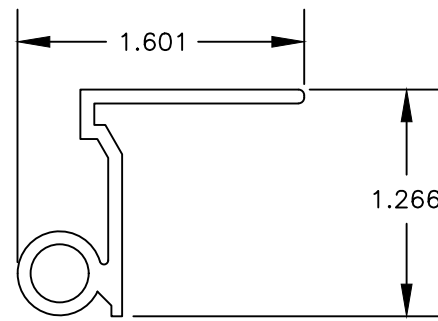
① FRAME HEAD, SILL & JAMB  
TYP. WALL THICKNESS 0.075



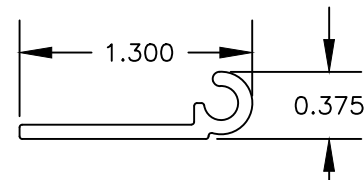
② VENT HEAD, SILL & JAMB, TYP. WALL THICKNESS 0.075



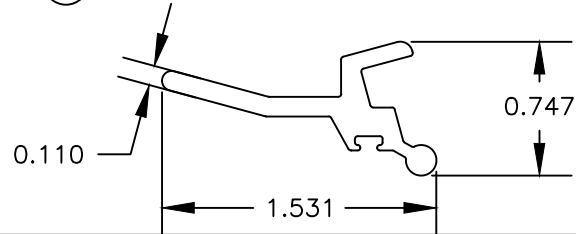
③ SCREEN HINGE  
TYP. WALL THICKNESS 0.078



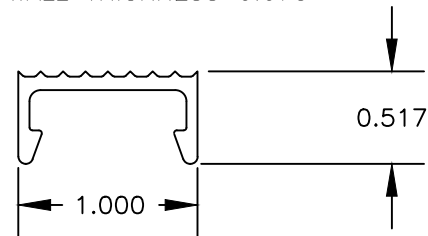
④ SCREEN LOCK PART A  
TYP. WALL THICKNESS 0.080



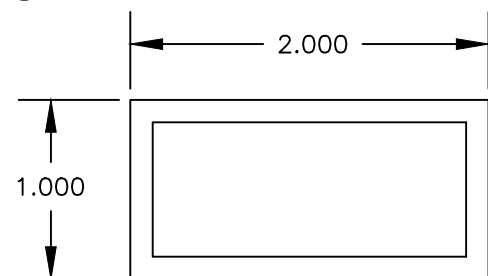
⑤ SCREEN LOCK PART B  
TYP. WALL THICKNESS 0.110



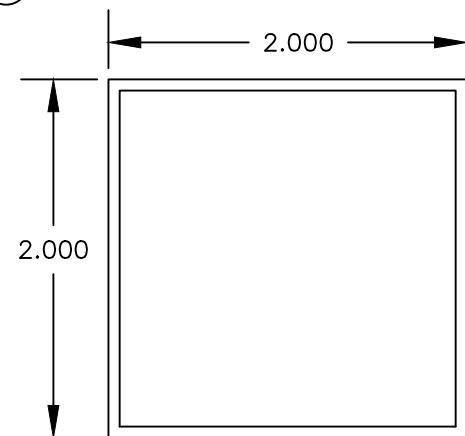
⑥ WIRE RETAINER  
TYP. WALL THICKNESS 0.075



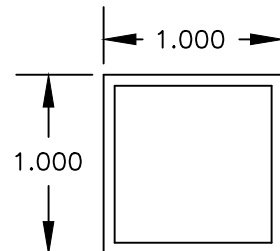
⑦ 1" X 2" ALUMINUM TUBE  
TYP. WALL THICKNESS 0.125



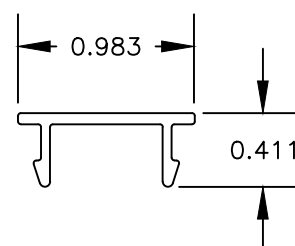
⑧ 2" X 2" ALUMINUM TUBE  
TYP. WALL THICKNESS 0.062



⑨ 1" X 1" ALUMINUM TUBE  
TYP. WALL THICKNESS 0.062



⑱ SCREEN COVER  
TYP. WALL THICKNESS 0.050



BILL OF MATERIALS

ITEM #	PART #	DESCRIPTION
1	2726	FRAME HEAD, SILL & JAMB 6005-T5 ALUMINUM
2	2711	VENT HEAD, SILL & STILE 6005-T5 ALUMINUM
3	2733	SCREEN HINGE 6005-T5 ALUMINUM
4	2724	SNAP LOCK PART A
5	2725	SNAP LOCK PART B
6	2721	WIRE RETAINER
7		1" X 2" X 1/8" ALUMINUM TUBE 6063-T5
8		2" X 2" X 1/16" ALUMINUM TUBE 6063-T5
9		1" X 1" & 1" X 2" X 1/16" ALUMINUM TUBE 6063-T5
10		OUTER VENT CORNER KEY 2" X 2" X 1.1 X 1/4" 6061-T6 ALUM.
11		INNER VENT CORNER KEY 2" X 2" X .400 X 1/8" 6061-T6 ALUM.
12		SUB FRAME ANGLE CORNER KEY 2" X 2" X 1/8" 6061-T6 ALUM.
13		#10 X 5/8" TEK SCREW
14		#12 -14 X 3/4" HEX HEAD SMS
15		#14 X 1/2" HEX HEAD SELF TAPPING FASTENER
16		1/4" HEX HEAD ITW TAPCON
17		NOT USED
18		1/4" LAG SCREW
19	2730	SCREW COVER
20		MESH 12 X 12 SCREEN SS 304 THREAD 0.028" OR 0.032" THICK
21		1/8" POP RIVET
22		SPRING LOADED HINGE PIN ASSEMBLY
23		#12 X 1" HEX HEAD SELF TAPPING SMS

PROJECT #414-1205

1661 GLENLAKE AVE.  
ITASCA, IL 60143

**QMI**

TITLE: STORMSAFE SCREEN - OPERABLE IMPACT SCREEN - HVHZ  
COMPONENTS & BILL OF MATERIALS

PREPARED BY: RJA  
DATE: 12/09/12  
DRAWING NO: QMI0004  
SCALE: N.T.S.  
SHEET: 5 OF 5  
REV: A

PTC PRODUCT DESIGN GROUP, LLC  
PO BOX 520775  
LONGWOOD, FLORIDA 32752  
FBPE.CA. NO. 259535  
Phone: 321.680.1788  
Fax: 321.680.1789  
Email: info@pac-corp.com

Robert J. Amoruso, P.E.  
Florida P.E. No. 49752

5/6/15  
RJA  
UPDATE TO 5TH ED. (2014)  
FLORIDA BUILDING CODE  
DESCRIPTION  
DATE  
BY