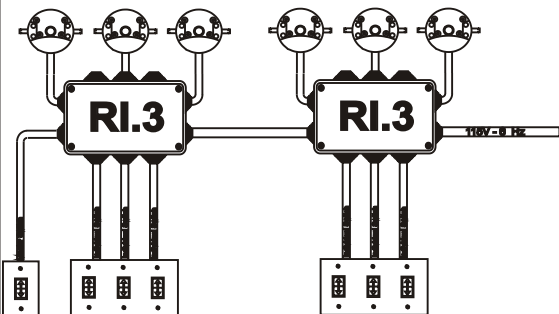
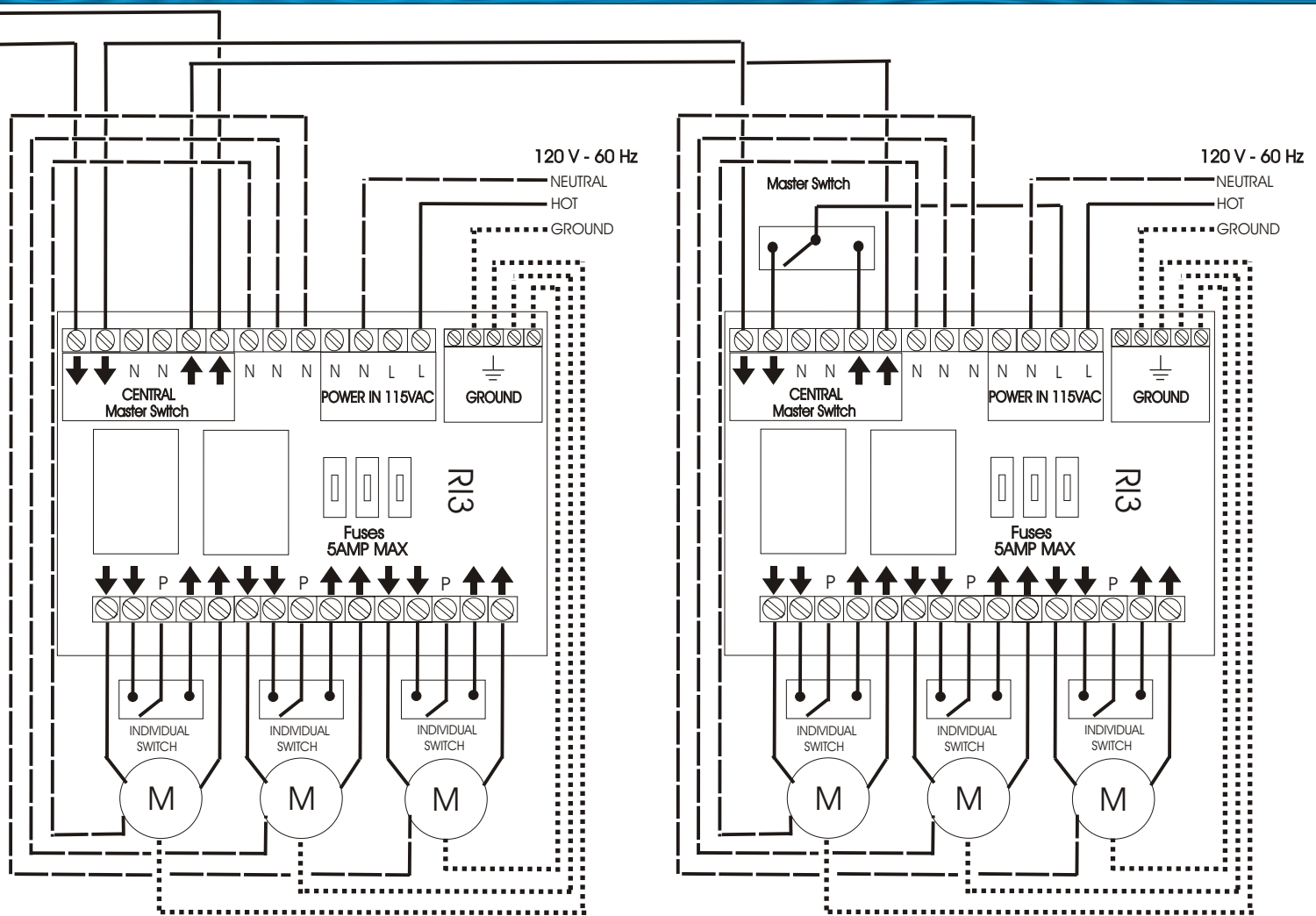


To other R13 and R12 Relays in group



## 2 R13 RELAYS

- \*SIX MOTORS
- \*ONE MOMENTARY MASTER SWITCH
- \*OPTIONAL SIX MOMENTARY INDIVIDUAL SWITCHES

**NOTICE:** For installation by a qualified electrician in accordance with national and local electrical codes, and the following instructions.

**CAUTION:** RISK OF ELECTRICAL SHOCK. Disconnect power before installing. Never wire energized electrical components.

	Ground (Green) $\perp$
	Hot Power L1 (Black)
	Common N (White)
	Motor
	Power to Ind. Switch
	Motor Direction (Red/Black)

Note: Connections are only at terminals