



Industry-Leading Forced Entry Protection

MAXIMUM STRENGTH

A precision-engineered system with unparalleled strength. Three (3) security-level options are available and tailored to your threat level.

SUPERIOR AESTHETICS

Smallest shutter box in the industry across all motorized and manual models to minimize visible footprint. Perforated slat styles offer high visibility without sacrificing security.

ENHANCED OPERATION

Patented nesting design and bushing-guide system provides reliable, smooth, and quiet operation.

HIGH DURABILITY

Hinge and slat design provides superior resistance to heavy impact and rapid smash attacks.

INSTALLATION FLEXIBILITY

Wide range of manual and motorized configurations to efficiently cover more openings.

UNMATCHED SECURITY OPTIONS

Industry-first tubular motor, code-compliant egress solution and auto-locking base slat option.

Features Summary

DIMENSIONS

- 24 - 236 in. (Width) (2 ft. - 19 ft. 8 in.)
- 24 - 288 in. (Height) (2 ft. - 24 ft.)

SLATS

- Solid single wall extruded 6063-T6 aluminum in 6 heights (Nesting) and standard slat
- Retained in curtain with stainless steel screws with engineered nylon shoulder bushings (configurations vary by security level)
- Mid-curtain slat configurations for manual operation
- Punched (P51) configuration for visibility and air flow

GUIDE RAILS

- 6063-T6 Aluminum lined with polypropylene runners and felts
- 3-1/4 in. (w) retained rail with snap cover (motorized)
- 3-3/4 in. (w) retained rail with spring stop and snap cover (manual)

BOTTOM BAR (BASE SLAT)

- Standard and low-profile (Motorized)
- Slide lock, thumbturn, and stop-bar only (Manual)
- Angled (sloped) base slat for uneven surfaces (2-3 in. Typ)

BOX HOUSING

- Aluminum alloy in 6, 6.5, 7, 8 and 10 in. sizes

Options Summary

BOX HOUSING SHAPE

- 90° angle (square), 45° angle, or round styles

OPERATOR

- Motor
- Motor with override
- Remote (Hz) motor
- Remote (Hz) motor with override
- Battery (EZ) motor
- Manual (Spring-Assist)
- Manual (Gear)

LOCKS (NON-MOTOR)

- Base Slat Thumbturn (Key or No Key)
- Base Slat Slide Lock
- Mid-Curtain Cylinder Key
- Auto-Locking (motor, egress)

COLORS

- White, Gray, Bronze, Beige, and Ivory. Powder and wet paint
 - SH - Series Powder coat Per AAMA 2603-13, DFT 60 - 110 µm
 - H/S Polyester 221T2602 DuraCoat wet paint, DFT 24 - 28 µm
- Clear (Silver) and black Anodize (Type II, Class 2, 10µm)

MOUNT

- Wall, Trap, Build-out mounting to structure

ADDITIONAL SECURITY LEVELS

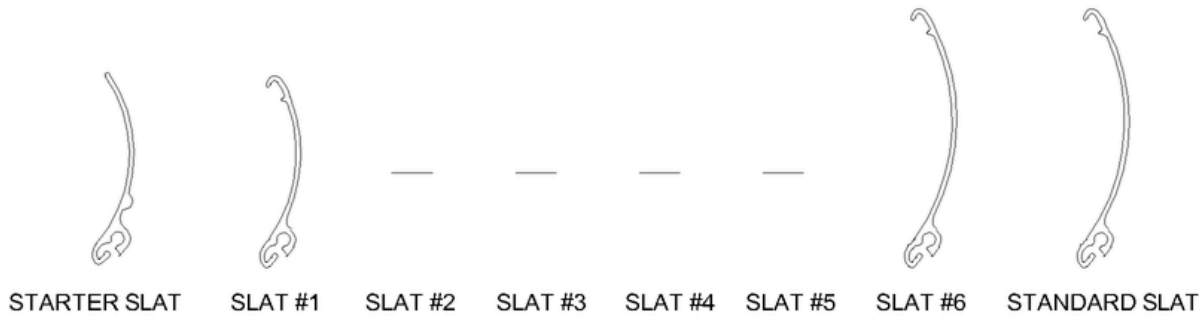
- 2-HD: Enhanced retention, added structural mounting, heavy-wall slats, optional auto-locks
- 3-Specialty: Enhanced base slat, code-compliant egress option

WARRANTY*



*Applies to Commercial applications only and customers who follow Use and Care Guidelines

System Details (Slats And Wrap)



AL8 uses sequential slats for a small portion of the curtain and standard slats for the rest, optimized for wrap, security, and durability

Nested Design With a Range of Slat Sizes

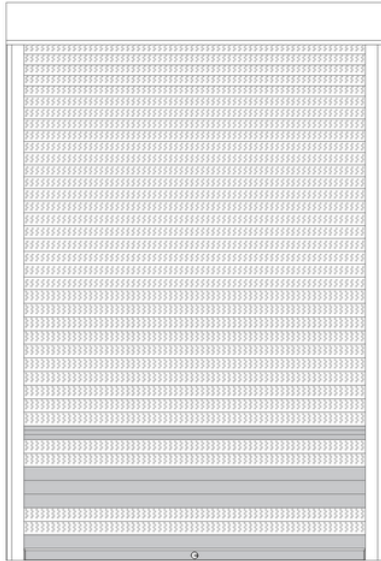
- Patented nesting and hinge design to minimize overall wrap size. Leveraged as part of a hybrid system
- Slat hinge receivers and hooks optimize for strength and bend characteristics to minimize effects of debris and environmental conditions.
- High visibility punch pattern provides views of merchandise when in use.
- Slat sequence and number used on a given shutter will vary based on dimensions, operator and lock options chosen.

Optimized Punch Pattern

- Punch pattern optimized for visibility and aesthetics.
- P51 visually compatible with previous AL7 Shutter models, enabling side by side use with no aesthetic impact.
- Punch size and configuration vary across the slat set.

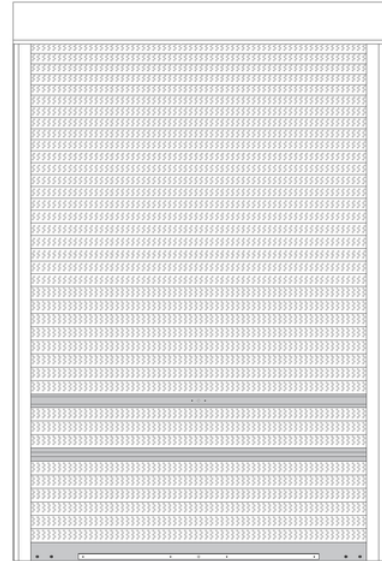
System Details (Curtain Configurations)

AL8 Elevation Manual (Door-Thumbturn)



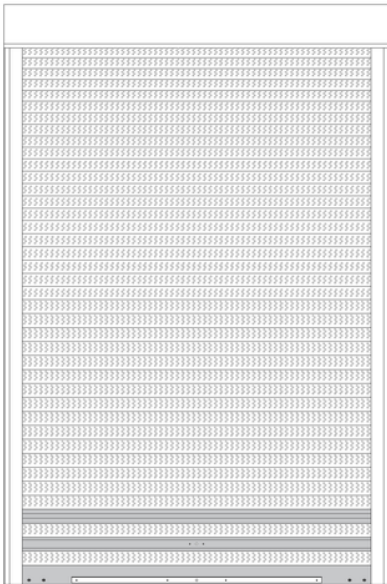
Top of Box (REF)	6 in.	6.5 in.	7 in.	8 in.	10 in.
	N/A	N/A	111 in.	138 in.	202 in.

AL8 Elevation Manual (Door-Midcurtain)



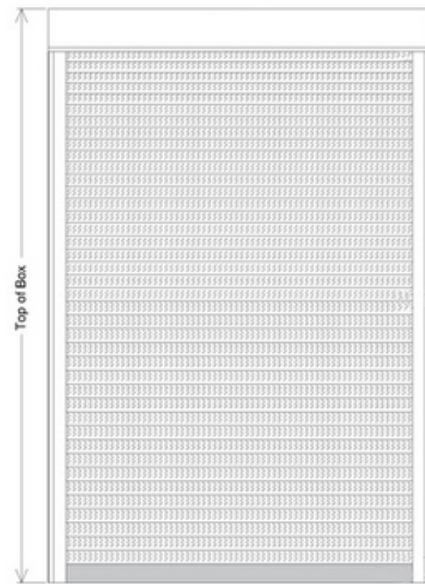
Top of Box (REF)	6 in.	6.5 in.	7 in.	8 in.	10 in.
	N/A	N/A	108 in.	137 in.	201 in.

AL8 Elevation Manual (Window)



Top of Box (REF)	6 in.	6.5 in.	7 in.	8 in.	10 in.
	50 in.	70 in.	106 in.	137 in.	201 in.

AL8 Elevation (Motorized)

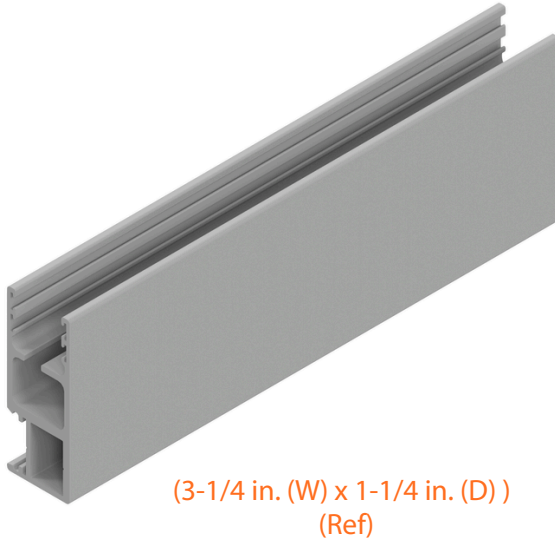


Top of Box (REF)	6 in.	6.5 in.	7 in.	8 in.	10 in.
	75 in.	90 in.	112 in.	144 in.	207 in.

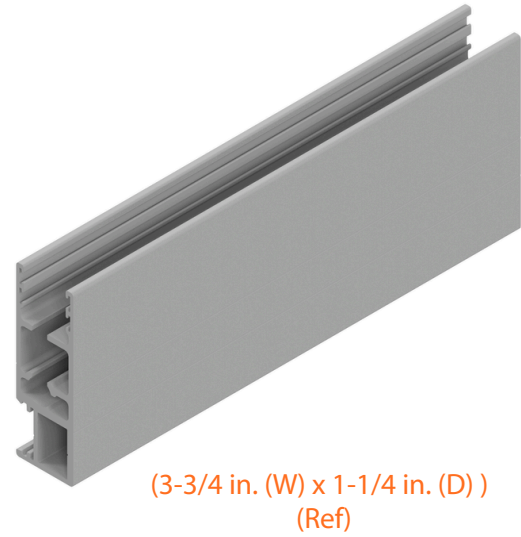
Note: P51 (typ) configurations depicted across all images. Configuration details vary with security level and egress options

System Details (Rails)

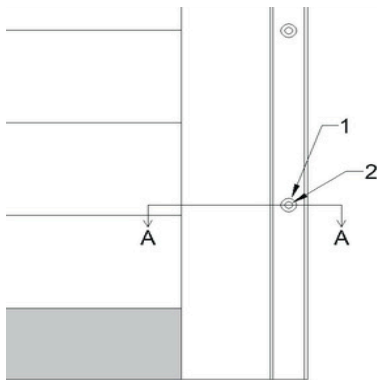
Retained Rail With Snap Cover (Motorized)



Retained Rail With Snap Cover (Manual)

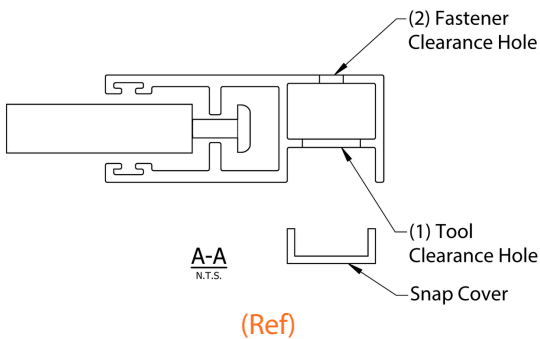


Patented rail design optimized for strength and operational performance. Snap cover system hides attachment fasteners, providing a smooth, clean appearance.



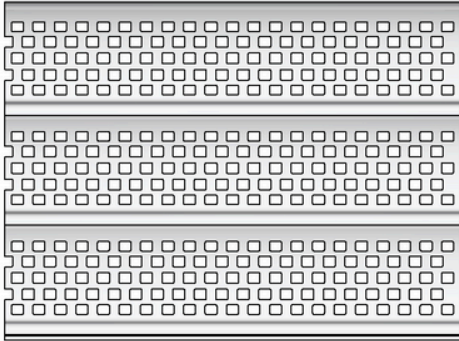
Holes pre-drilled for ease of installation.

On-center distance and hole pattern determined by customer requirement and/or coastal hurricane certification requirements. (Where Applicable)



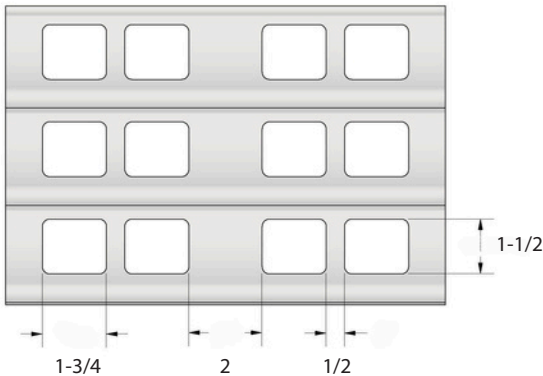
Holes are drilled through inner and outer walls to ease installation and accommodate approved fastener configurations and sizes.

Option Details (Punch Patterns)



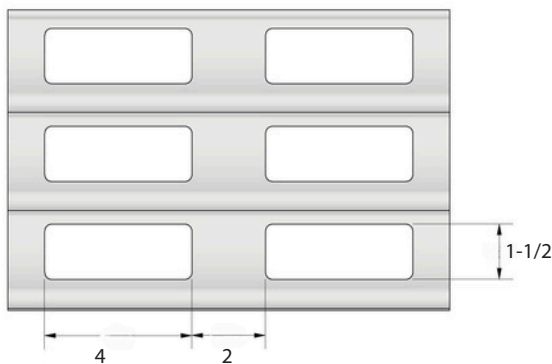
Punch 51 (P51)

- High-visibility punch pattern typically used for storefront and interior / counter applications
- Provides strength and visibility
- Max width 20 ft.



Punch 21 (P21)

- Medium opening pattern used for both storefront and interior counter or modular / custom casework
- Hole patterns centered left-to-right on slat for maximum visual continuity
- Max width 16 ft. to ensure strength
- Available on AL7 models only

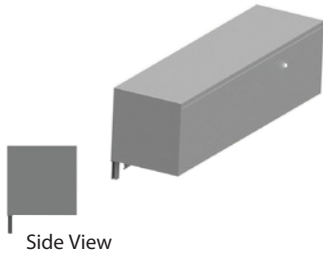


Punch 11 (P11)

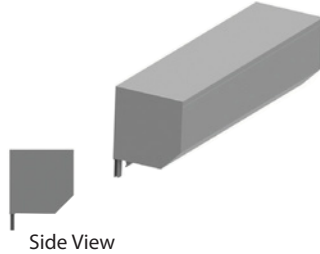
- Large opening pattern used on small-span shutters where high airflow is desired
- Primarily interior solution used for specialty applications
- Hole pattern centered left-to-right on slat to maximize visual continuity
- Max width 16 ft. to ensure strength
- Available on AL7 models only

Option Details (Box Housing)

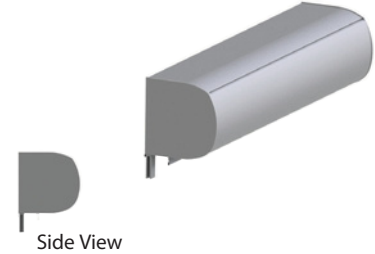
90° Housing



45° Housing



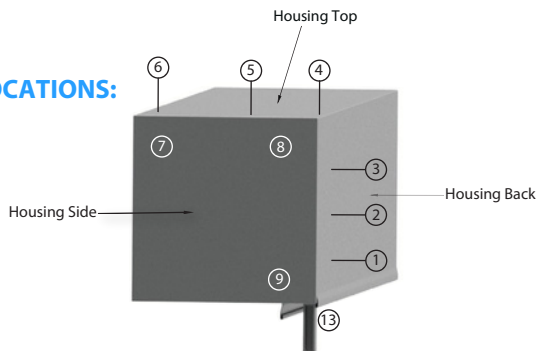
Round (Rondelo) Housing



Housing choices to match building aesthetics.

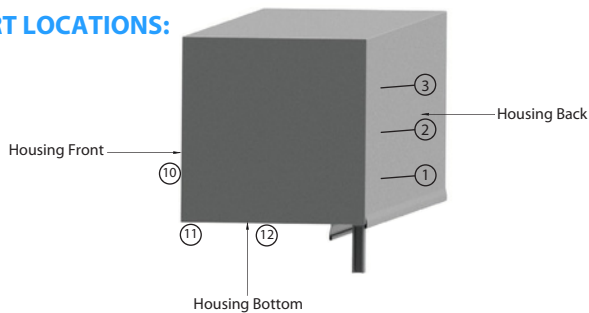
Cable and Override / Gear Locations

WIRE LOCATIONS:



Motor power cables can exit housing assembly in multiple locations

OVERRIDE OR GEAR PORT LOCATIONS:



Override pole or gear crank operator can be used across most locations

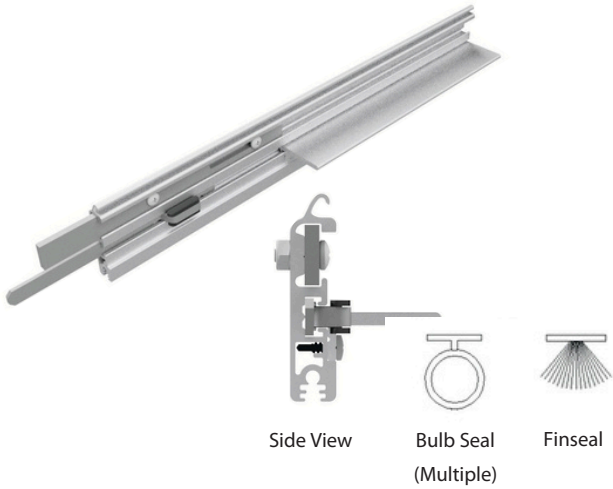
(Typ: Reference Housing Detail)

Shutter system provides flexibility in power and pole locations to aid in installation and optimize aesthetics across various opening and mounting types.

Note: Locations 1, 2, and 13 not available on large shutters with required reinforcement (>36 sq.ft. gear, >65 sq.ft. motor)

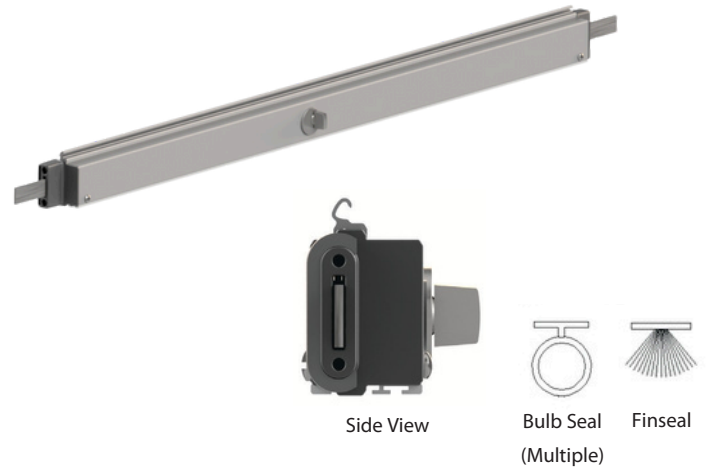
Option Details (Locks)

Slide Lock



(Typ: Window, Kneewall)

Thumbturn Lock



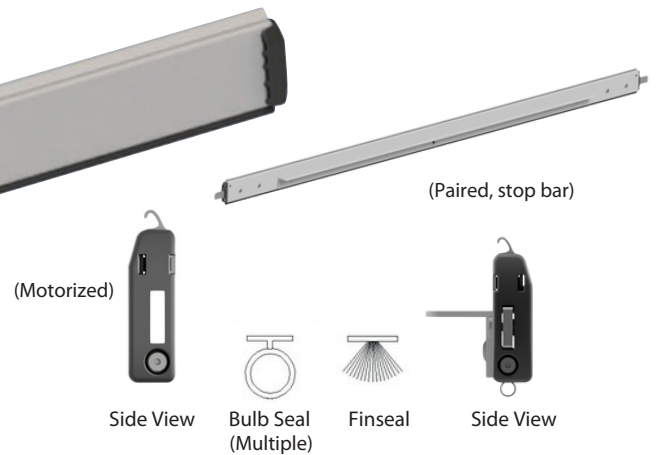
(Typ: Exit Door, Floorlevel)

Mid-Curtain Lock Slat



(Typ: Residential Sliding Door, Window, Special)

General Base Slat



(Typ: Motorized or paired with mid-curtain lock)

Patented lock slat designs provide locking functionality for range of manual shutter use cases. Retractable mechanisms on some configurations for easy installation and ongoing shutter maintenance. Felt and bulb-seals provided on bottom of locking base slats per application requirement.

Option Details (Operators and Colors)

Operators



MOTOR (WIRED) IN STANDARD AND OVERRIDE OPTIONS

Wall switch activation for day to day reliability.



BATTERY (EZ) MOTOR AND MOUNTING BRACKETS

Low voltage battery operated for minimal wiring and maximum flexibility.



WIRELESS REMOTE MOTOR IN STANDARD AND OVERRIDE OPTIONS

Remote operation and integration with home automation systems.



MANUAL (SPRING-ASSIST)

Manual operation for simplicity and cost.



MANUAL (STRAP)

Strap-box operation for speed and tight space activation.



MANUAL (GEAR)

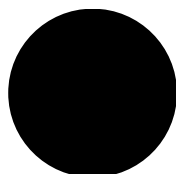
Gear operation with crank pole for precise manual control.

Motorized and manual operators to meet various applications and opening types. QMi partners with industry-leading motor manufacturers, including Somfy® and OZ Roll® to offer the highest-quality drive systems.

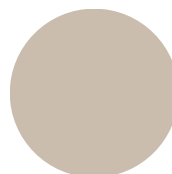
Colors and Finish



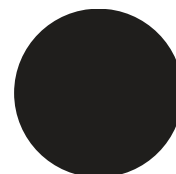
Clear Anodized
(Silver)



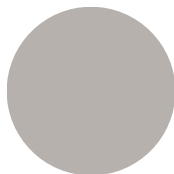
Black Anodized



Beige



Bronze



Gray



Ivory



White



Custom

Powder coat and wet paint options for both standard and custom colors are available. Contact your QMi Sales or Project Support Representative for pricing and lead times on custom color options.

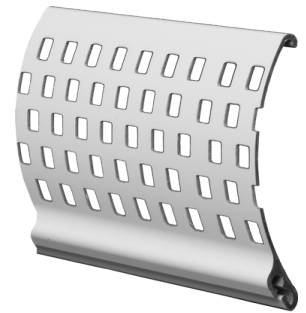
Security Levels and Specialty Configurations

Level 1: Standard

- Superior strength solid slats or Perforated (P51) for vision
- Motorized or Manual
- Mid-curtain Locks/Finger pull or Thumbturn Lock



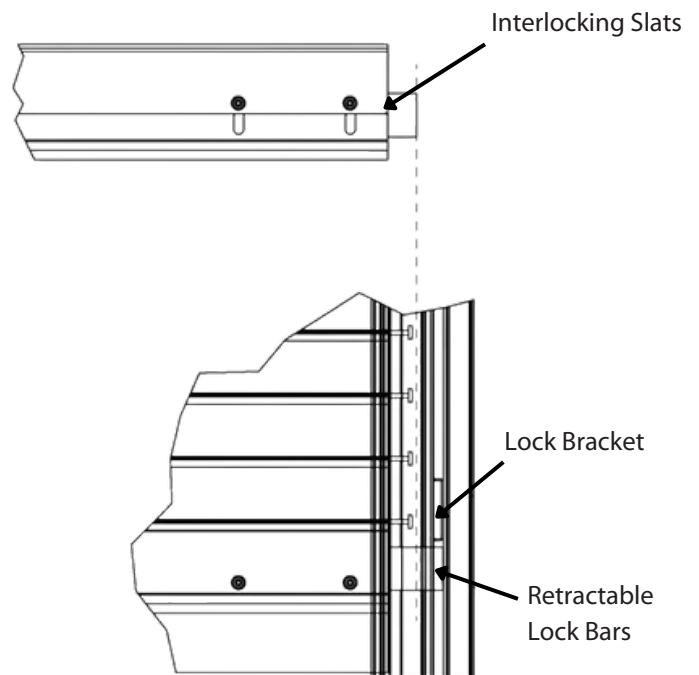
Solid Slat Profile



P51 Punched Slat Profile

Level 2: Standard + Heavy Duty

- Enhanced end-retention and heavy-wall slats.
- Augmented structural attachment to walls and floors.
- Auto-locking slat option for motorized shutters. (window or egress door)
 - Activates lock bars when the shutter is in its closed position.
 - Deactivates lock bars when a motor opens the shutter.
 - Additional pry protection prevents the shutter from being forced open from the bottom with heavy tools.



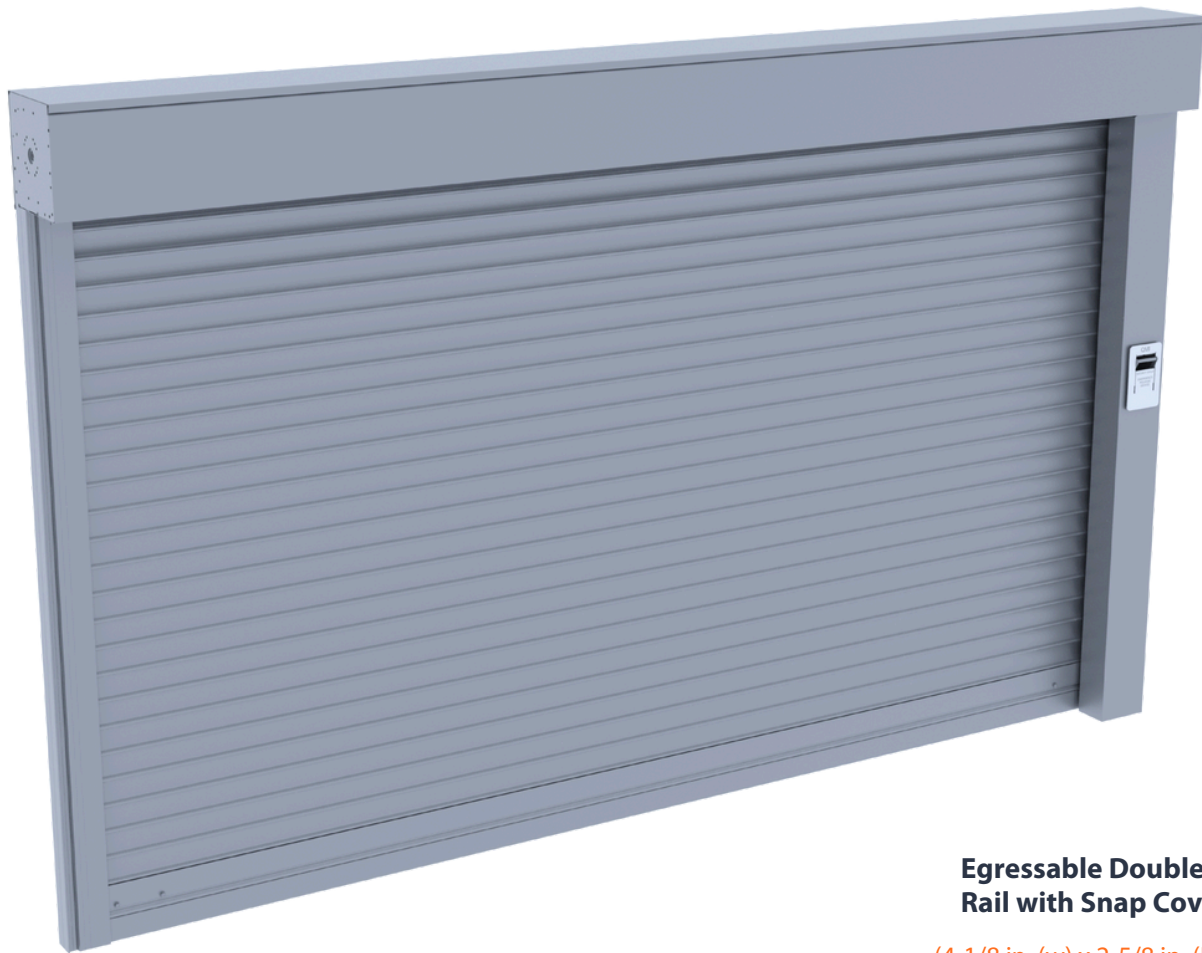
(Typ: Auto-locking slat detail) [Egress]

Security Levels and Specialty Configurations

Level 3: Specialty

Specialty configurations can further increase security with features such as a heavy-duty base slat for extremely wide spans.

In addition, an industry-first egressable tubular motor solution is available that meets all code requirements across states and municipalities.



**Egressable Double
Rail with Snap Cover**

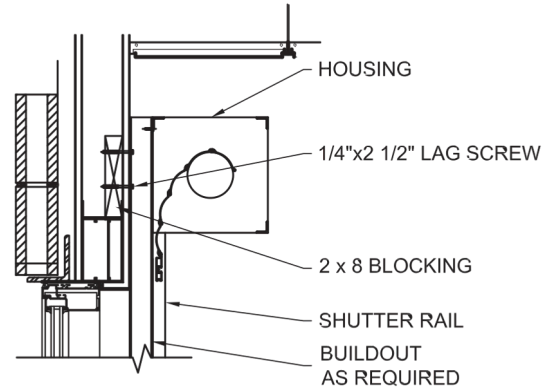
(4-1/8 in. (w) x 2-5/8 in. (D))

Head Details, Below the Ceiling (Mounting)



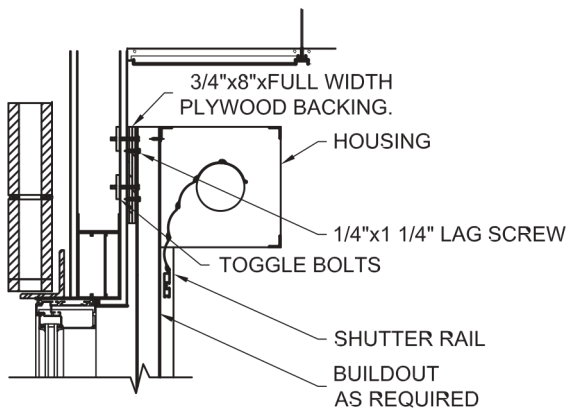
System designed for rapid stand-up and mounting to a range of substrates in multiple configurations.

On Framing with Blocking



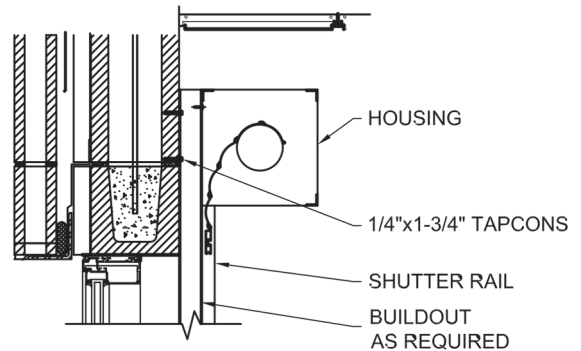
Mounting to supplemental (provided) build-out structure for strength or clearance.

On Framing



Mounting to framing directly with plywood backer for stability (not provided)

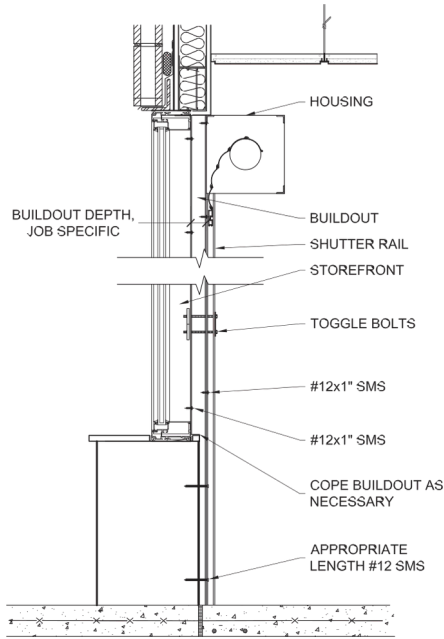
On Block



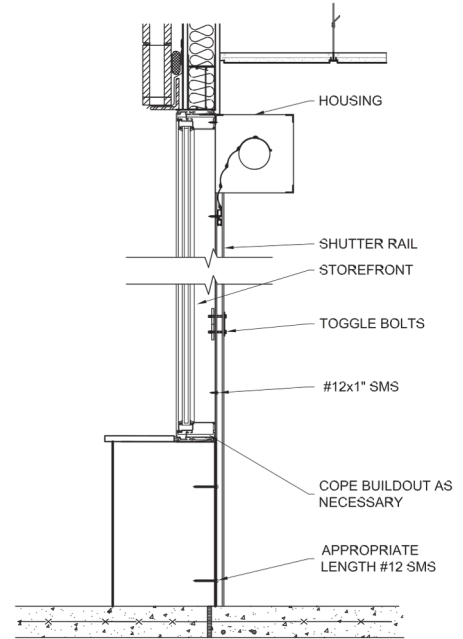
Mounting to block with buildout as required.

Storefront with Sill (Mounting)

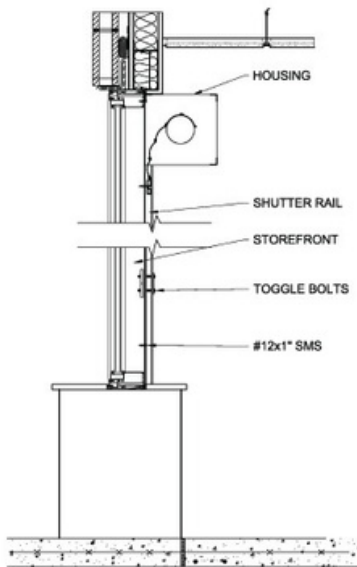
Buildout Coped at Sill, Rail to Floor



Rail to Floor, No Buildout

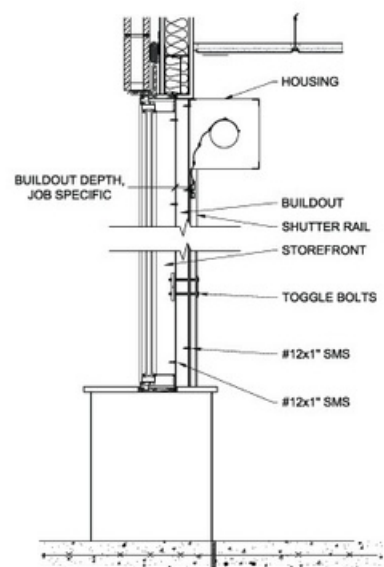


To Sill, without Buildout



4C: TO SILL, WITHOUT BUILDOUT

To Sill, with Buildout



4D: TO SILL, WITH BUILDOUT