

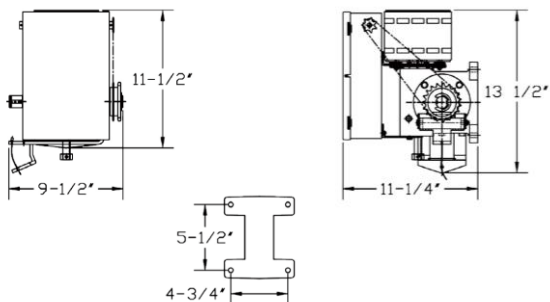
# COMMERCIAL LIMITED DUTY WORM GEAR JACKSHAFT

Designed for use on commercial gates and shutters that require no more than 15 cycles per hour



When finalizing the correct operator for your application, QMi will confirm the following information:

- Shutter width and height (W x H)
- Type of shutter
- Horsepower
- Voltage / phase requirement
- Related safety devices
- Shutter shaft diameter and shaft key size
- Mounting (LH or RH, bracket or wall mount)
- Control circuit options (if applicable)



## STANDARD FEATURES

- 24V Class 2 control circuit with 40VA transformer to protect against short circuit
- On board receiver with antenna
- External radio control terminal strip
- Low friction powder metal limit cam nuts with fully adjustable rotary type limit switch assembly
- Three button open-close-stop control station Nema-1
- 1/2 HP high starting torque, instant reversible motor protected by internal automatic thermal overload device
- Motor removable without affecting limit settings
- Heavy duty worm gear reduction in oil bath gearbox
- #41 roller chain drive & 41B19 operator drive sprocket standard
- Emergency floor level disconnect for manual operation
- Manual override drive device for jammed doors
- Chain keeper
- Left or right-hand mounting (must specify at time of order)
- #41 roller chain and sprockets on final drive
- Patented Mechanical Load Sensing feature (optional) will detect a locked or jammed door and stop unit from operation
- Baked on dark grey coat finish
- Shipping weight 55 lbs
- N-1 photocells included for doors up to 24' wide